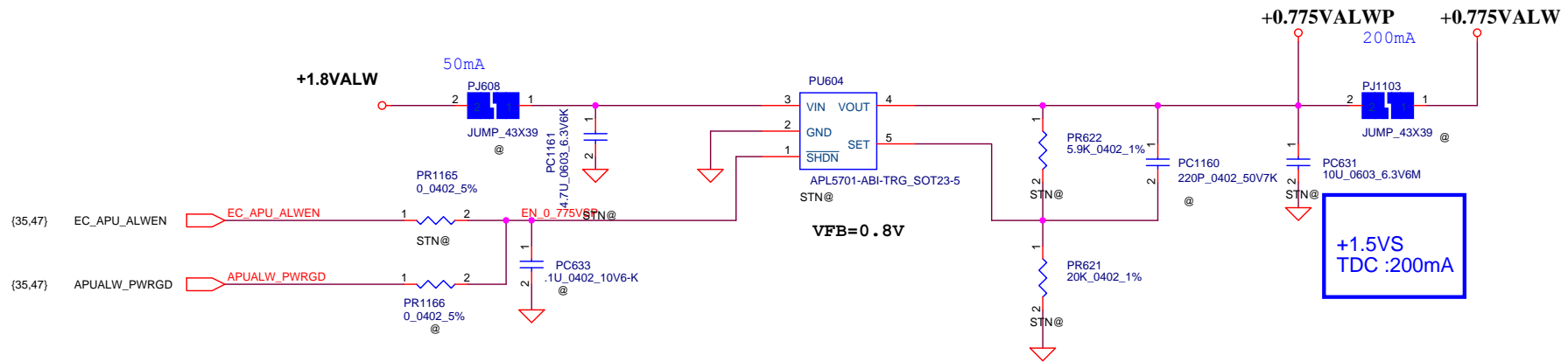


PRE-PWROK METAL VID CODES

SVC	SVD	Boot Voltage
0	0	1.1V
0	1	1.0V
1	0	0.9V
1	1	0.8V(Default)

Security Classification	LC Future Center Secret Data		Title
Issued Date	2013/08/15	Deciphered Date	2013/08/15
			+VGA_CORE
THIS SHEET OF ENGINEERING DRAWING IS THE PROPRIETARY PROPERTY OF LC FUTURE CENTER, AND CONTAINS CONFIDENTIAL AND TRADE SECRET INFORMATION. THIS SHEET MAY NOT BE TRANSFERRED FROM THE CUSTODY OF THE COMPETENT DIVISION OF DEPARTMENT EXCEPT AS AUTHORIZED BY LC FUTURE CENTER. NEITHER THIS SHEET NOR THE INFORMATION IT CONTAINS MAY BE USED BY OR DISCLOSED TO ANY THIRD PARTY WITHOUT PRIOR WRITTEN CONSENT OF LC FUTURE CENTER.			Document Number CG412
			Rev 1.0
			Date: Wednesday, February 24, 2016 Sheet 49 of 60



Security Classification		LC Future Center Secret Data		Title	
Issued Date	2013/08/15	Deciphered Date	2013/08/15	+VGA_CORE	
THIS SHEET OF ENGINEERING DRAWING IS THE PROPRIETARY PROPERTY OF LC FUTURE CENTER. AND CONTAINS CONFIDENTIAL AND TRADE SECRET INFORMATION. THIS SHEET MAY NOT BE TRANSFERRED FROM THE CUSTODY OF THE COMPETENT DIVISION OF RESEARCH AND DEVELOPMENT EXCEPT AS AUTHORIZED BY LC FUTURE CENTER NEITHER THIS SHEET NOR THE INFORMATION IT CONTAINS MAY BE USED BY OR DISCLOSED TO ANY THIRD PARTY WITHOUT PRIOR WRITTEN CONSENT OF LC FUTURE CENTER.				Size	Rev
				Document Number	1.0
Date: Wednesday, February 24, 2016				Sheet	50 of 50

