


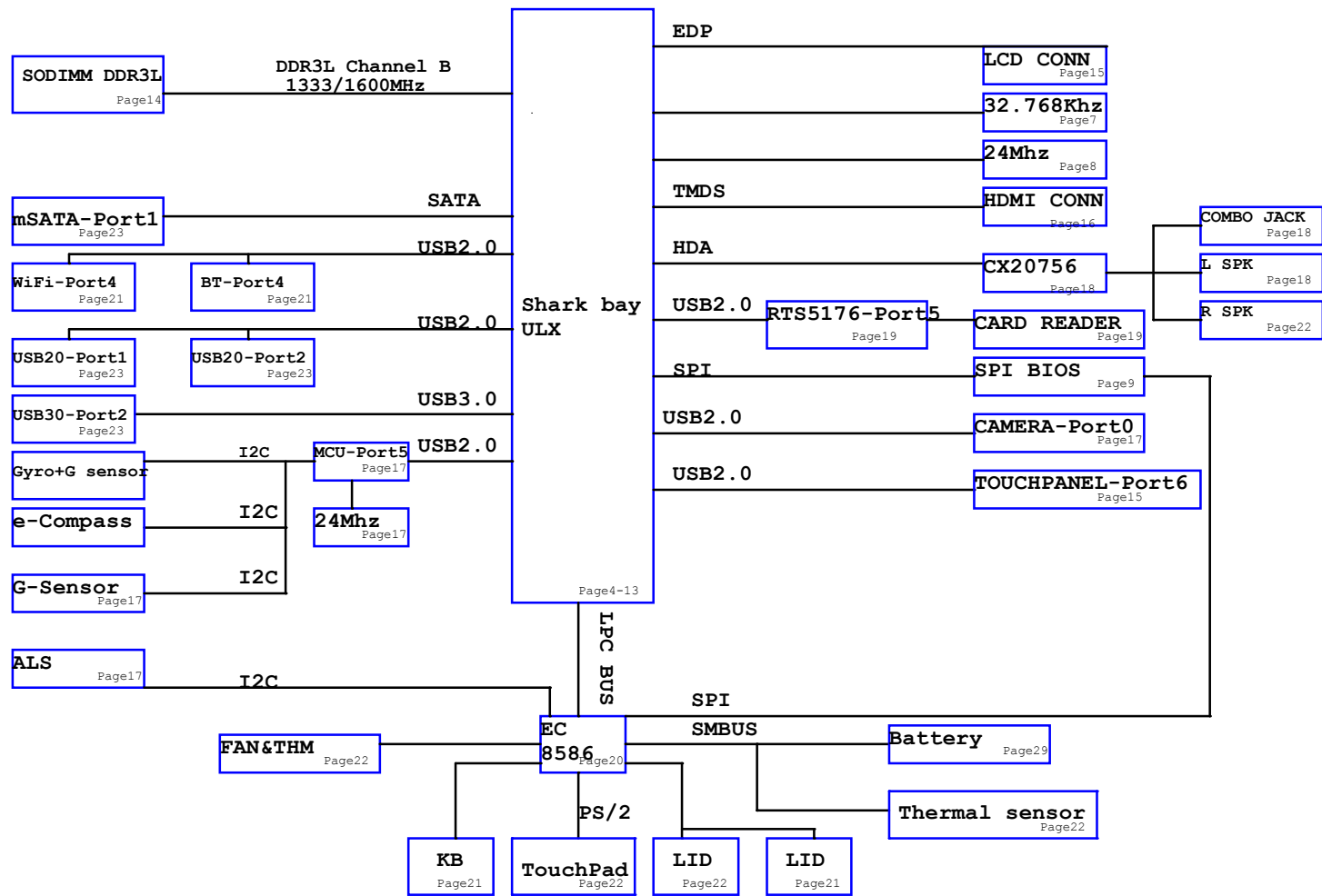
LCFC Confidential

VENUS3 M/B Schematics Document INTEL Haswell Mobile ULT Platform

2013-04-01

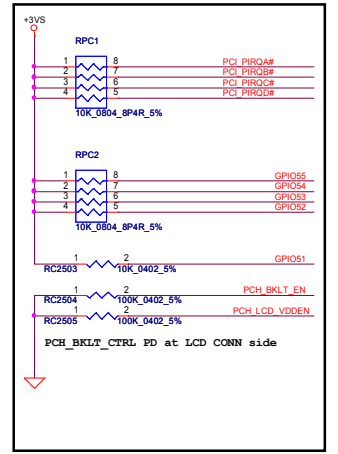
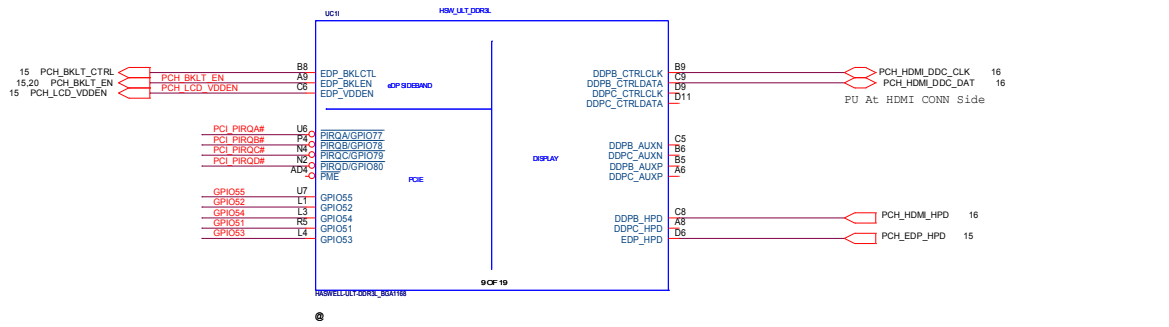
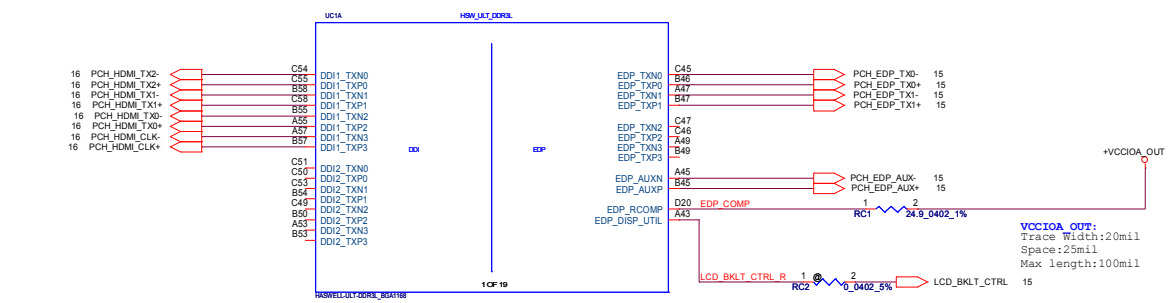
REV: 0.1

Security Classification	LC Future Center Secret Data			Title	
Issued Date	2013/03/26	Deciphered Date	2013/02/01	Cover Page	
<small>THIS SHEET OF ENGINEERING DRAWING IS THE PROPRIETARY PROPERTY OF LC FUTURE CENTER, AND CONTAINS CONFIDENTIAL AND TRADE SECRET INFORMATION. THIS SHEET MAY NOT BE TRANSFERRED FROM THE CUSTODY OF THE COMPETENT DIVISION OF R&D DEPARTMENT EXCEPT AS AUTHORIZED BY LC FUTURE CENTER NEITHER THIS SHEET NOR THE INFORMATION IT CONTAINS MAY BE USED BY OR DISCLOSED TO ANY THIRD PARTY WITHOUT PRIOR WRITTEN CONSENT OF LC FUTURE CENTER.</small>					
Size	Document Number	Date: Monday, April 01, 2013		Sheet 1 of 35	Rev 0.1
				Venus3	



Win8 SUB	Page21
Sensor SUB	Page17
PWR SUB	Page21
DCIN SUB	Page30
Ratation SUB	Page22

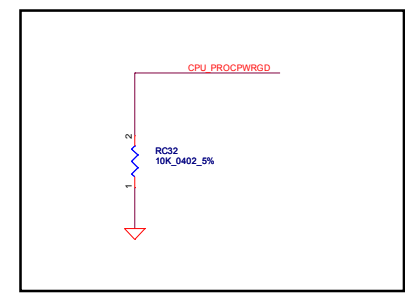
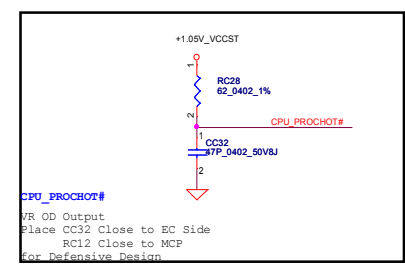
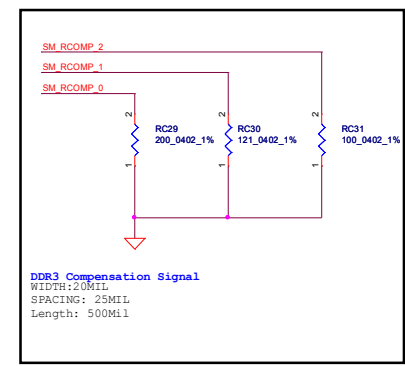
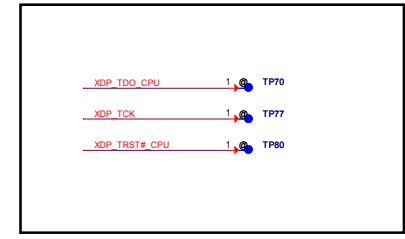
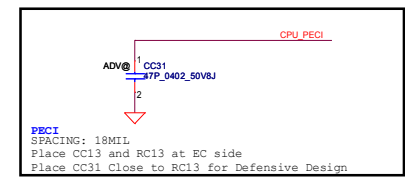
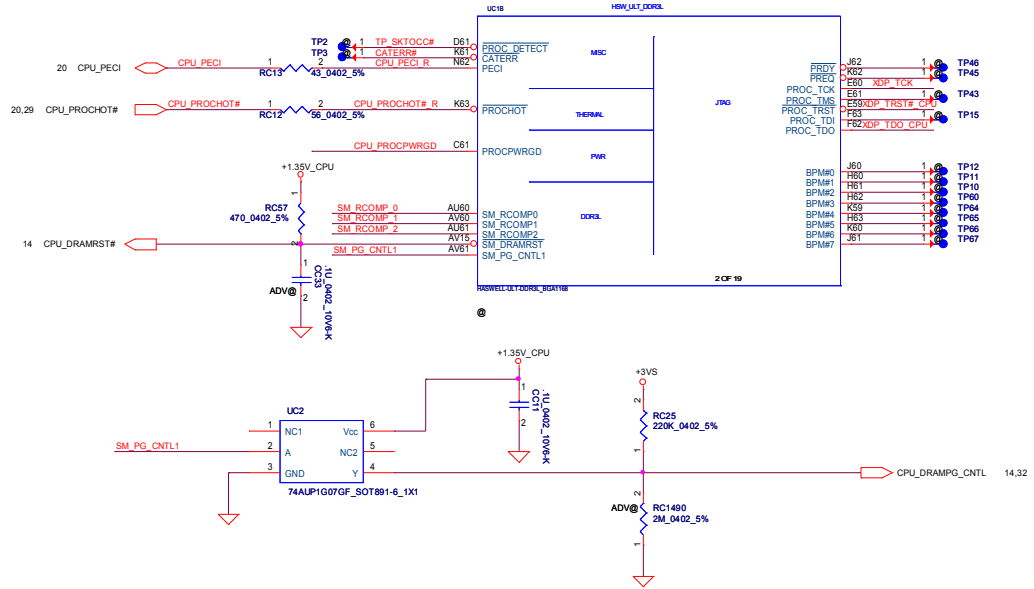
www.vinafix.com



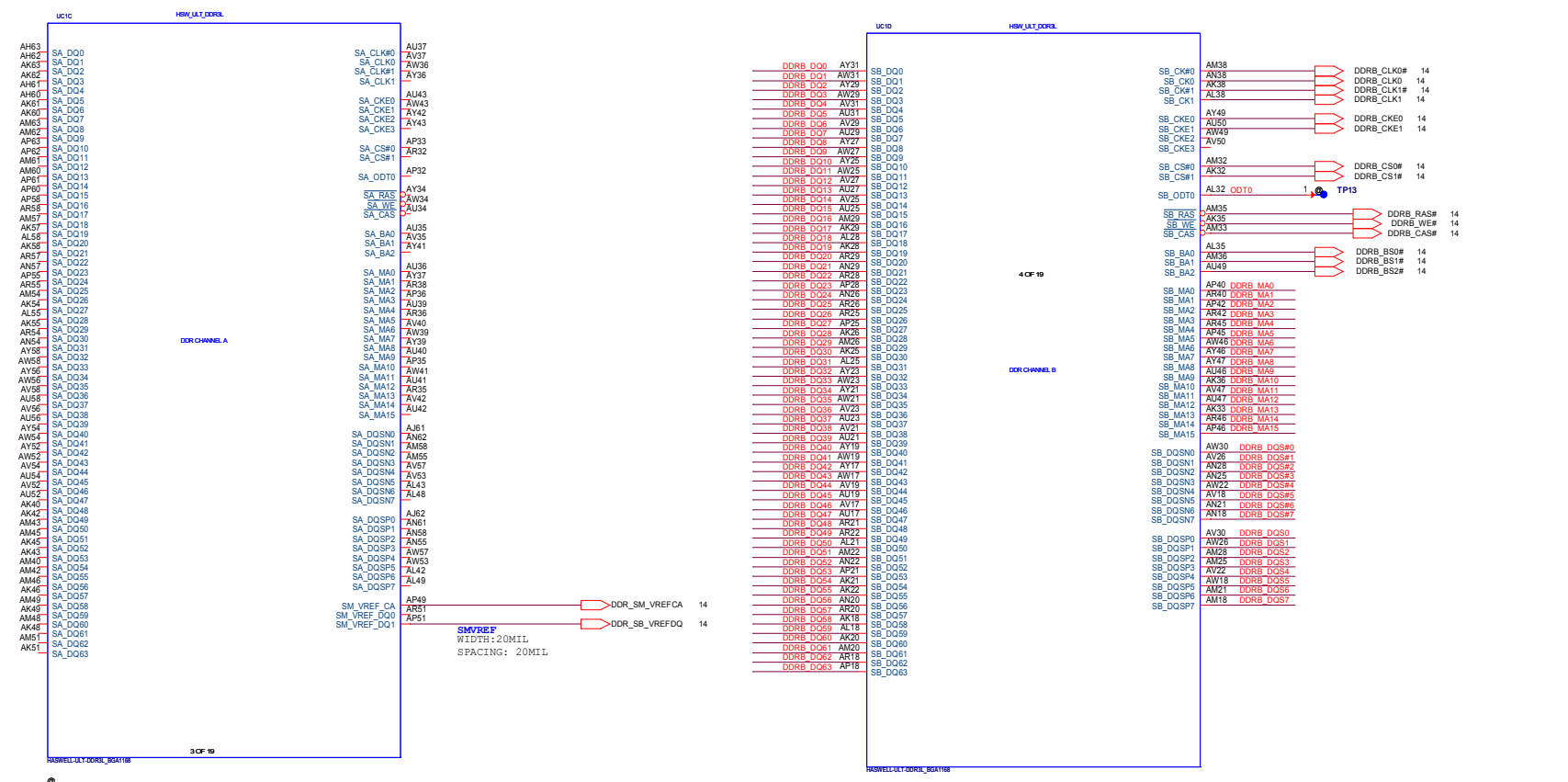
Port	DDI PROCESSOR Pin	DisplayPort Mapping
Port 1	DDI1_TXN[0]	HDMIxC_TX2_DN
Port 2	DDI1_TXP[0]	HDMIxC_TX2_DP
Port 3	DDI1_TXN[1]	HDMIxC_TX1_DN
Port 4	DDI1_TXP[1]	HDMIxC_TX1_DP
Port 5	DDI1_TXN[2]	HDMIxC_TX0_DN
Port 6	DDI1_TXP[2]	HDMIxC_TX0_DP
Port 7	DDI1_TXN[3]	HDMIxC_CLK_DN
Port 8	DDI1_TXP[3]	HDMIxC_CLK_DP
Port 9	DDPB_HPD	DDI1_HPD_Q
Port 10	DDPB_CTRLCLK	DDI1_CTRL_CK
Port 11	DDPB_CTRLDATA	DDI1_CTRL_DATA

Pin Name	Recommendation
DDPC_AUXP	No Connect
DDPC_AUXN	No Connect
DDPC_HPD	No Connect
DDI2_TXP[3:0]	No Connect
DDI2_TXN[3:0]	No Connect
DDPC_CTRLCLK	No Connect
DDPC_CTRLDATA	No Connect

Haswell MCP (MISC, THERMAL, JATG)



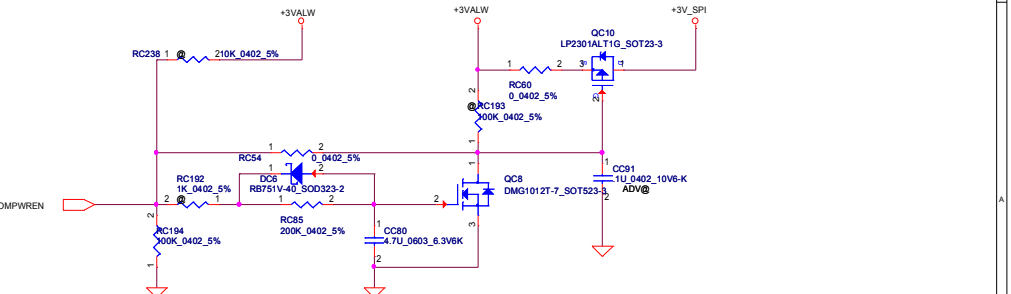
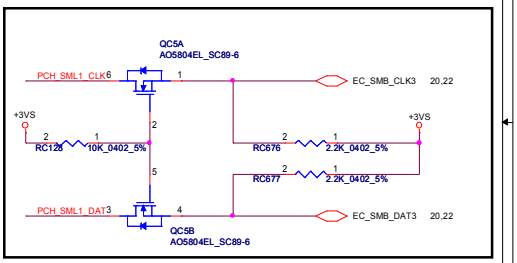
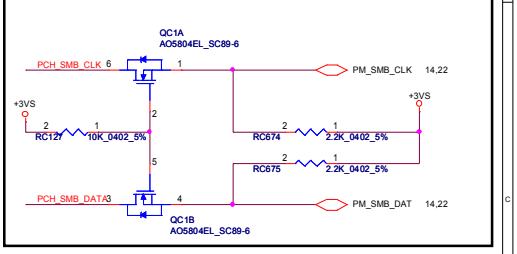
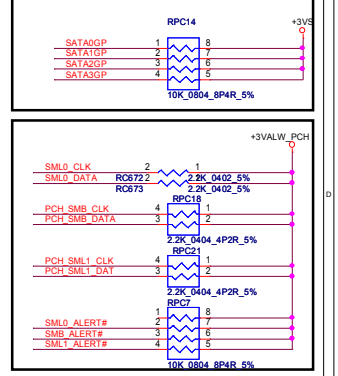
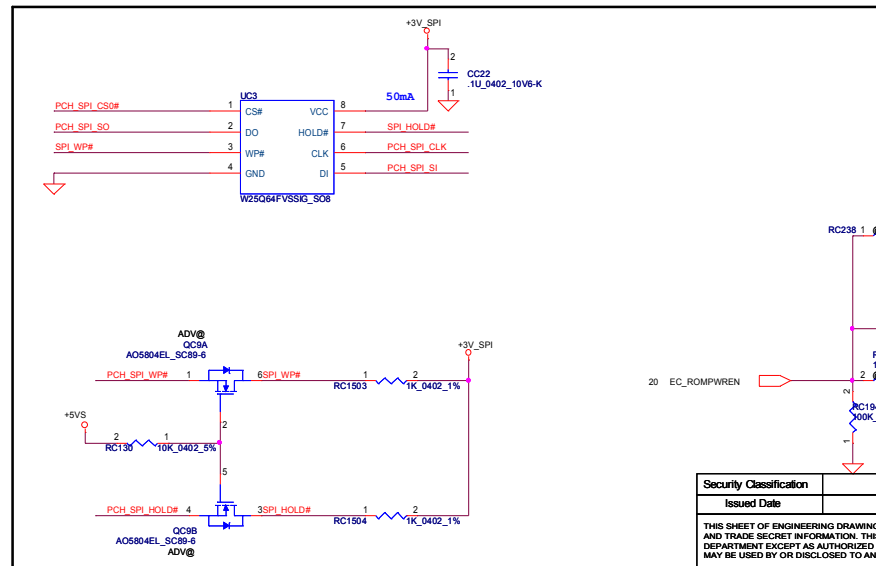
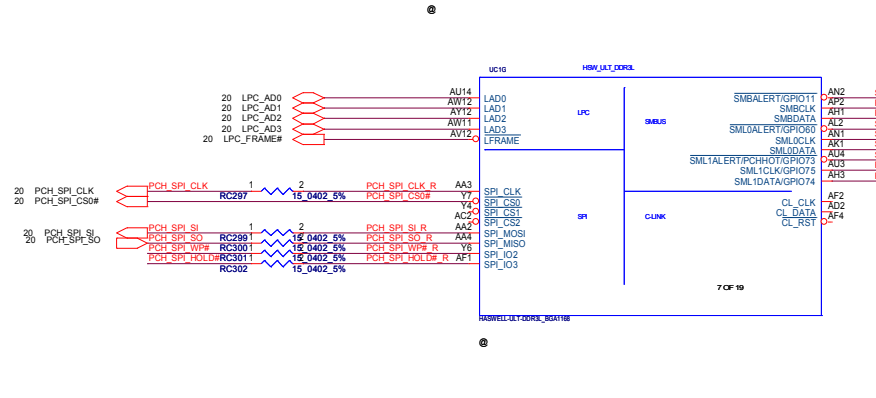
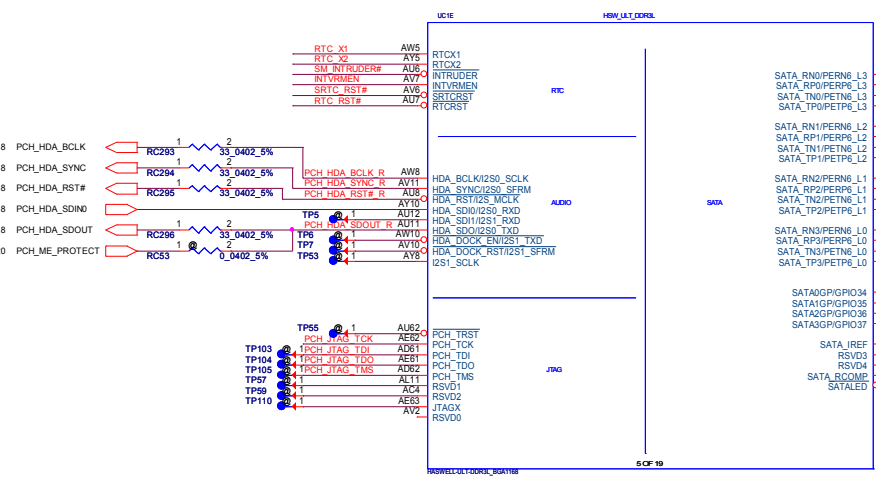
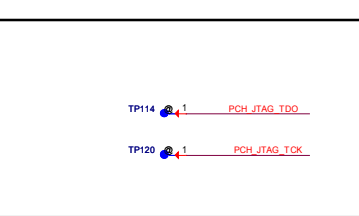
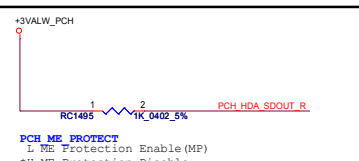
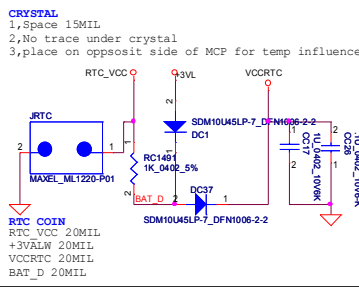
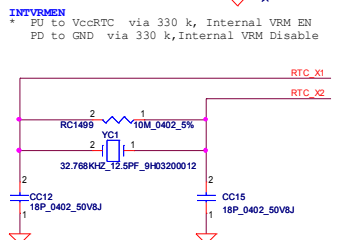
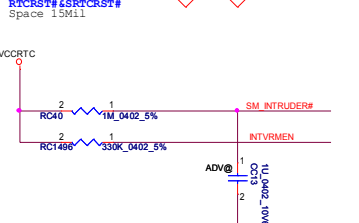
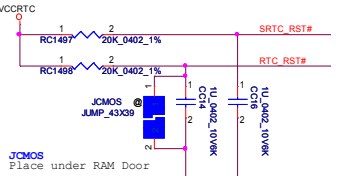
Security Classification	LC Future Center Secret Data		Title	MCP (MISC, THERMAL, JATG)
Issued Date	2013/03/26	Deciphered Date	2013/02/01	
THIS SHEET OF ENGINEERING DRAWING IS THE PROPRIETARY PROPERTY OF LC FUTURE CENTER. AND CONTAINS CONFIDENTIAL AND TRADE SECRET INFORMATION. THIS SHEET MAY NOT BE TRANSFERRED FROM THE CUSTODY OF THE COMPETENT DIVISION OF R&D DEPARTMENT EXCEPT AS AUTHORIZED BY LC FUTURE CENTER. NEITHER THIS SHEET NOR THE INFORMATION IT CONTAINS MAY BE USED BY OR DISCLOSED TO ANY THIRD PARTY WITHOUT PRIOR WRITTEN CONSENT OF LC FUTURE CENTER.				
Size	Document Number	Venus3		Rev 0.1
Date:	Monday, April 01, 2013	Sheet	5	of 35



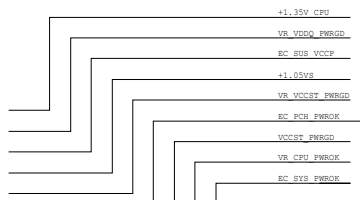
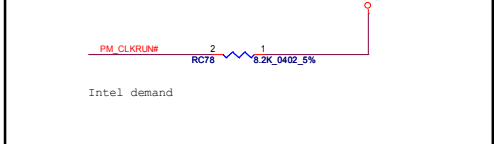
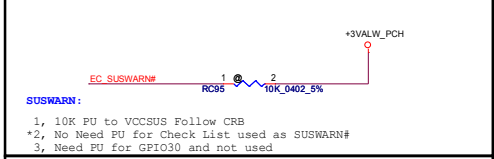
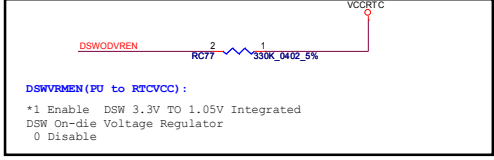
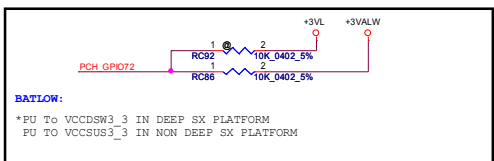
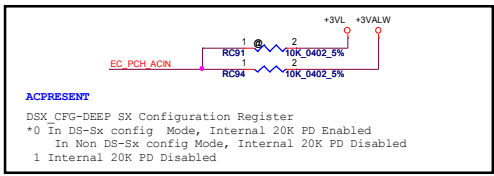
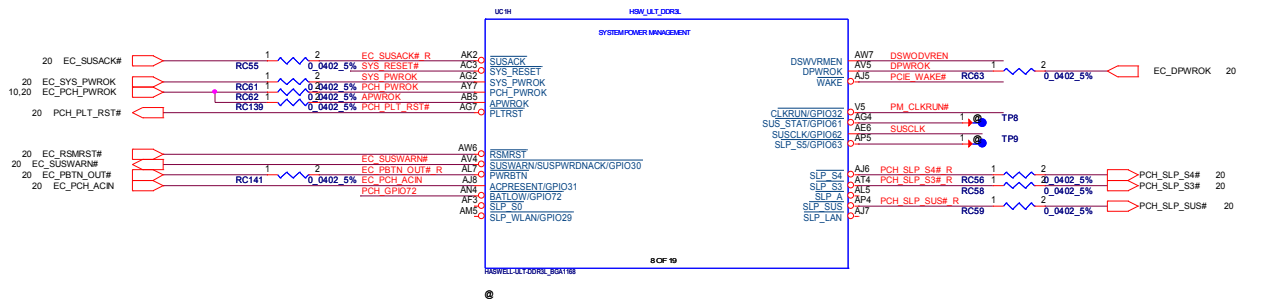
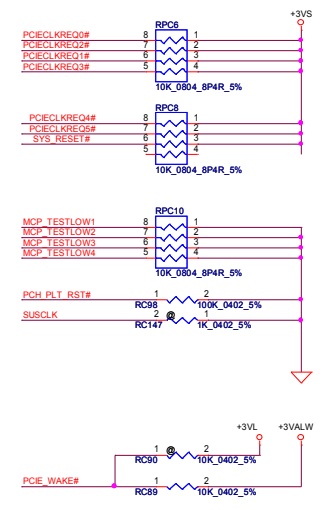
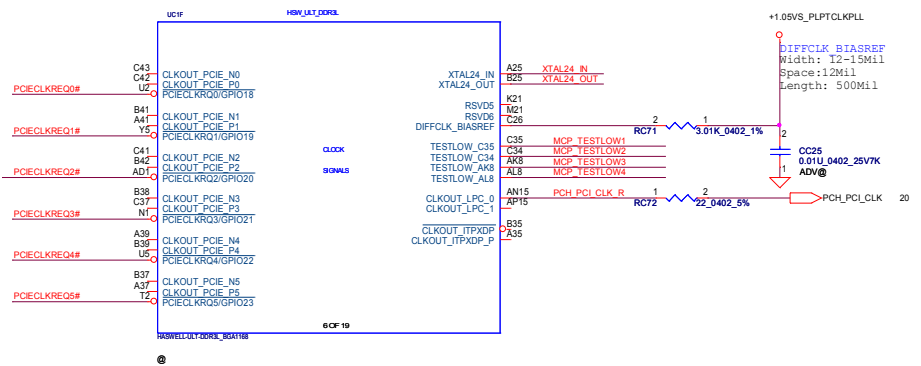
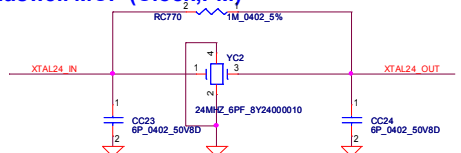
SMVREF
 WIDTH: 20MIL
 SPACING: 20MIL

Security Classification	LC Future Center Secret Data		Title	
Issued Date	2013/03/26	Deciphered Date	2013/02/01	
THIS SHEET OF ENGINEERING DRAWING IS THE PROPRIETARY PROPERTY OF LC FUTURE CENTER. AND CONTAINS CONFIDENTIAL AND TRADE SECRET INFORMATION. THIS SHEET MAY NOT BE TRANSFERRED FROM THE CUSTODY OF THE COMPETENT DIVISION OF R&D DEPARTMENT EXCEPT AS AUTHORIZED BY LC FUTURE CENTER. NEITHER THIS SHEET NOR THE INFORMATION IT CONTAINS MAY BE USED BY OR DISCLOSED TO ANY THIRD PARTY WITHOUT PRIOR WRITTEN CONSENT OF LC FUTURE CENTER.			Size	Document Number
				Venus3
			Date:	Monday, April 01, 2013
			Sheet	6 of 36

Haswell MCP (RTC,AUDIO,SATA,SATA,LPC,SPI,SMB)

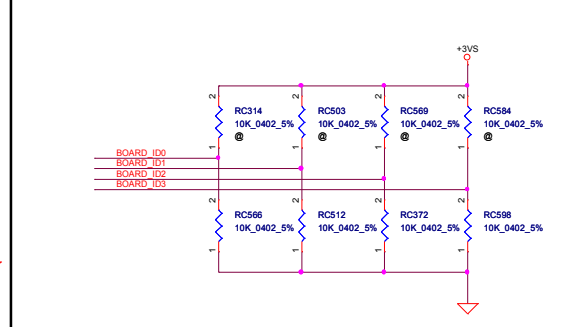
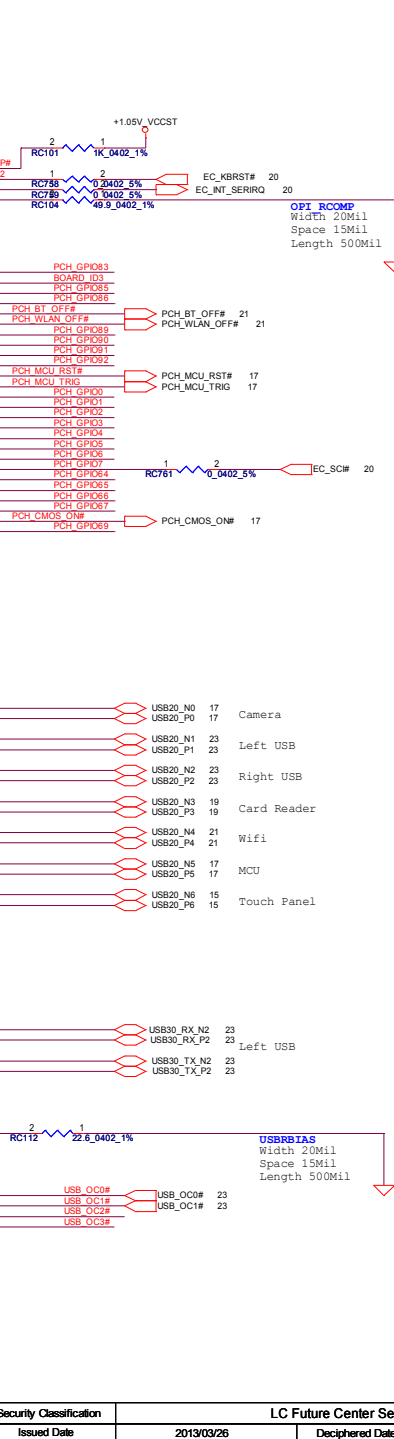
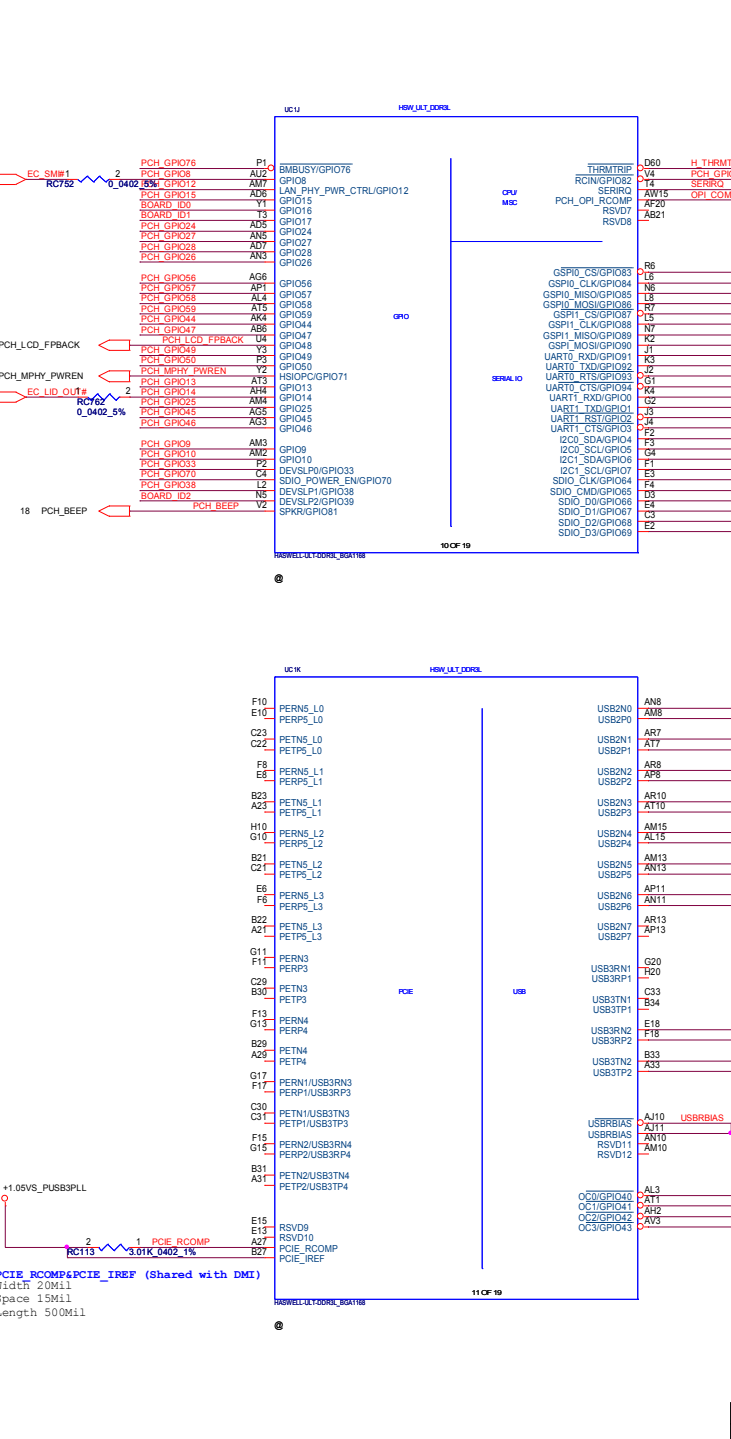
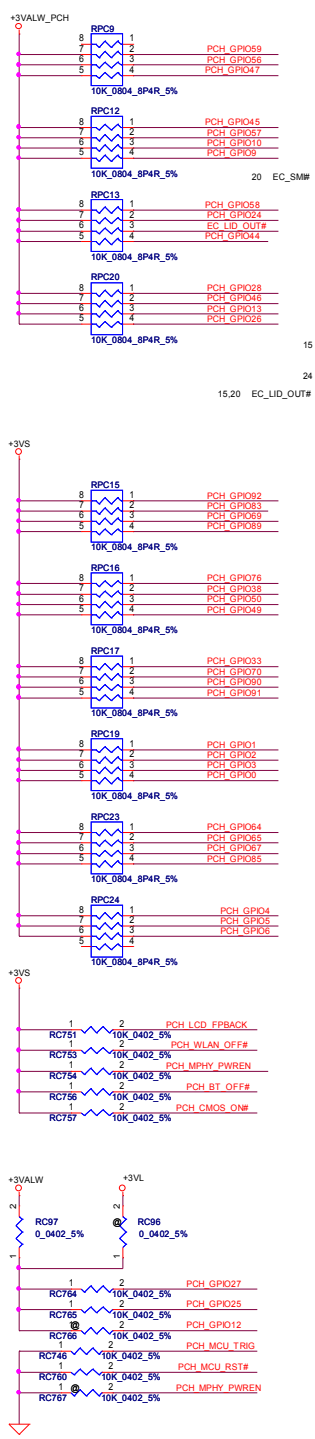


Haswell MCP (Clock,PM)

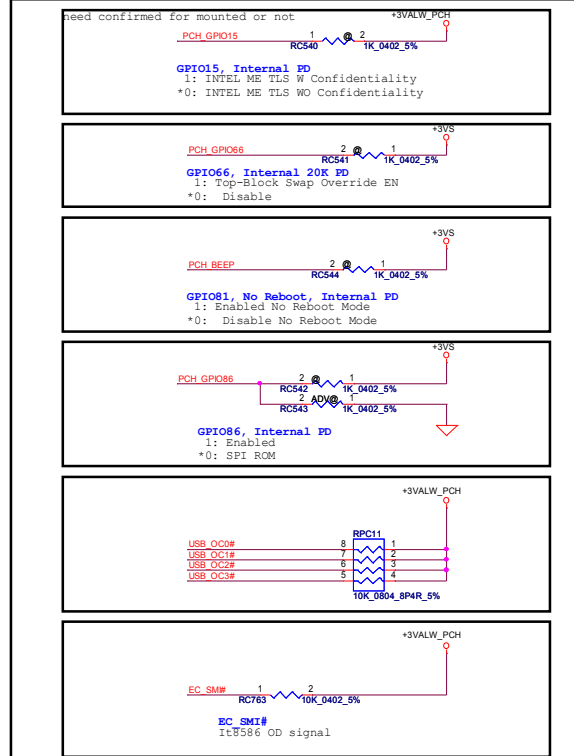


Security Classification	LC Future Center Secret Data		Title	MCP (Clock,PM)	
Issued Date	2013/03/26	Deciphered Date	2013/02/01	Size	Document Number
THIS SHEET OF ENGINEERING DRAWING IS THE PROPRIETARY PROPERTY OF LC FUTURE CENTER. AND CONTAINS CONFIDENTIAL AND TRADE SECRET INFORMATION. THIS SHEET MAY NOT BE TRANSFERRED FROM THE CUSTODY OF THE COMPETENT DIVISION OF R&D DEPARTMENT EXCEPT AS AUTHORIZED BY LC FUTURE CENTER NEITHER THIS SHEET NOR THE INFORMATION IT CONTAINS MAY BE USED BY OR DISCLOSED TO ANY THIRD PARTY WITHOUT PRIOR WRITTEN CONSENT OF LC FUTURE CENTER.			Venus3		Rev 0.1
Date:	Monday, April 01, 2013		Sheet	8 of 35	

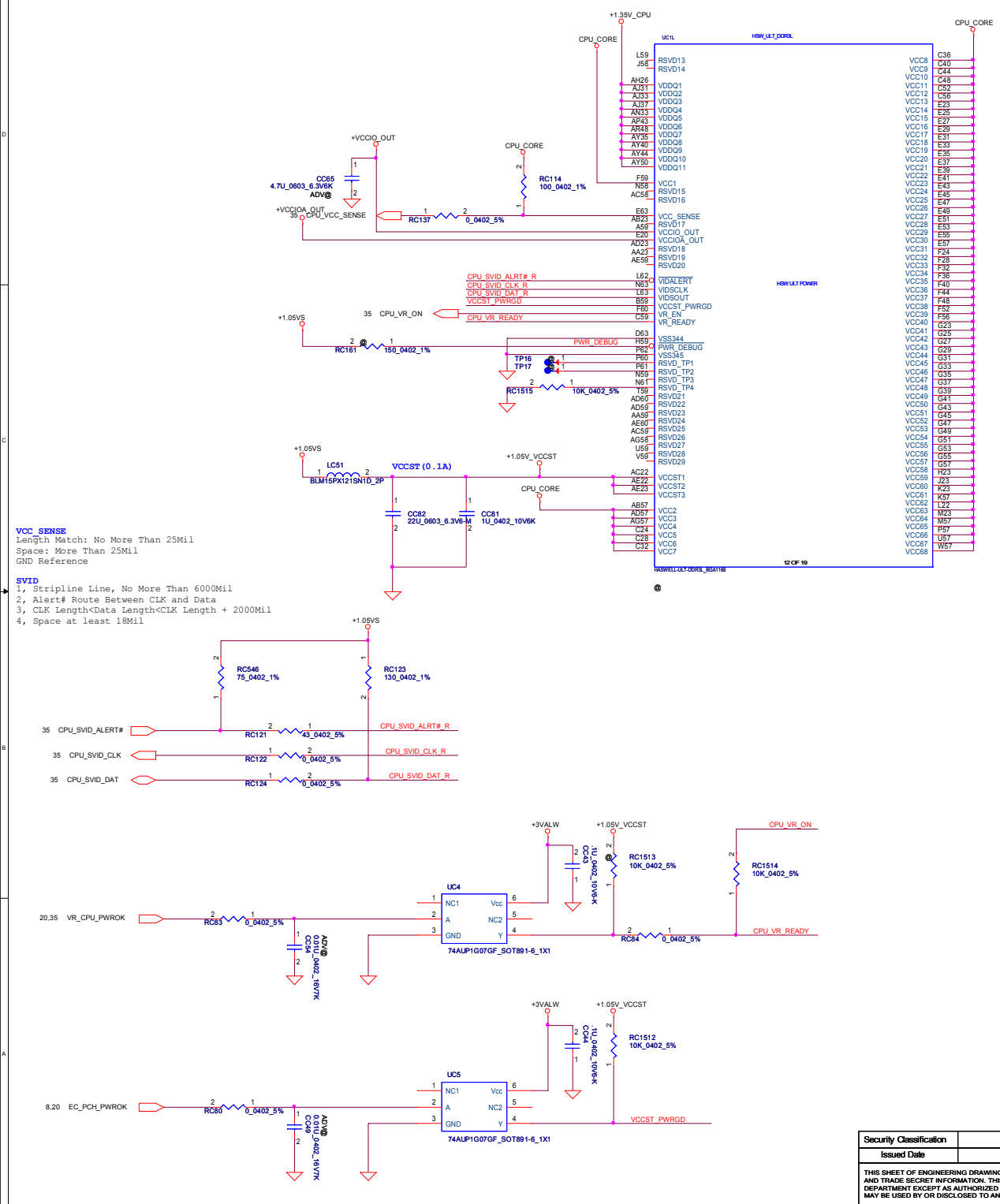
Haswell MCP (GPIO,USB,PCIE)



BOARD_ID3	BOARD_ID2	BOARD_ID1	BOARD_ID0	Description
0	0	0	0	

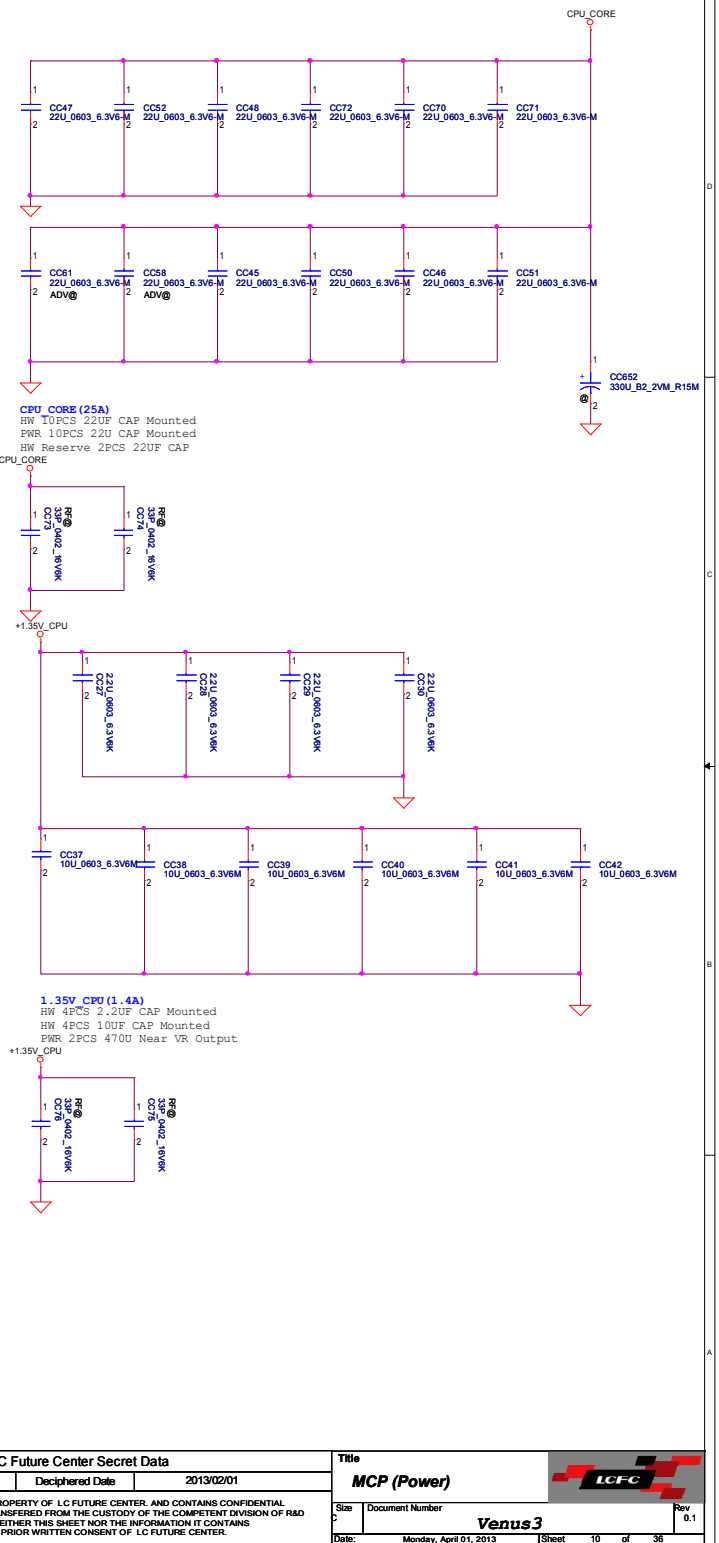


Haswell MCP (Power)



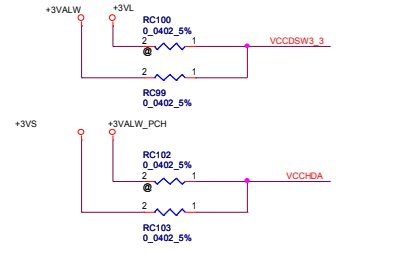
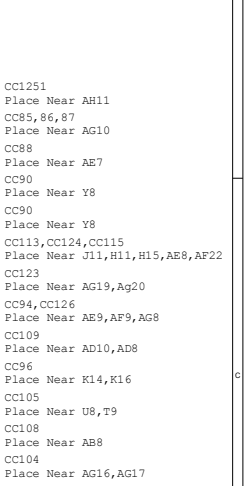
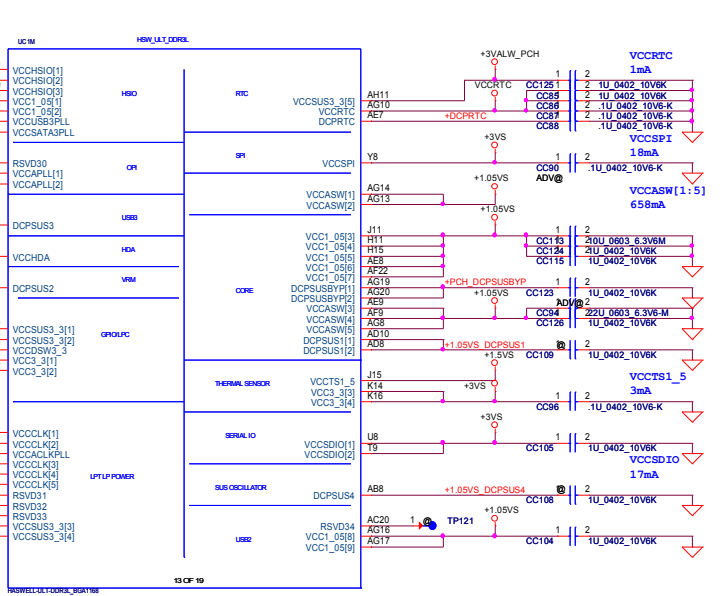
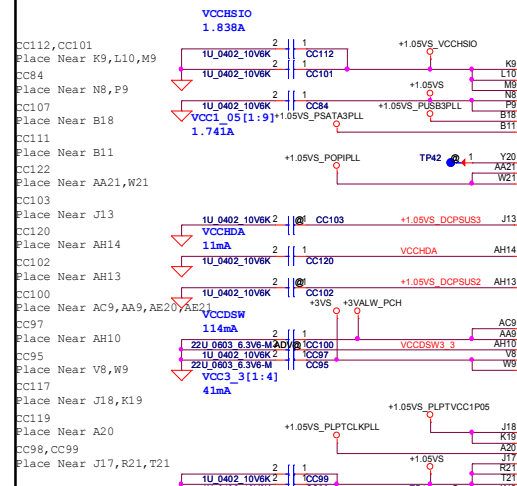
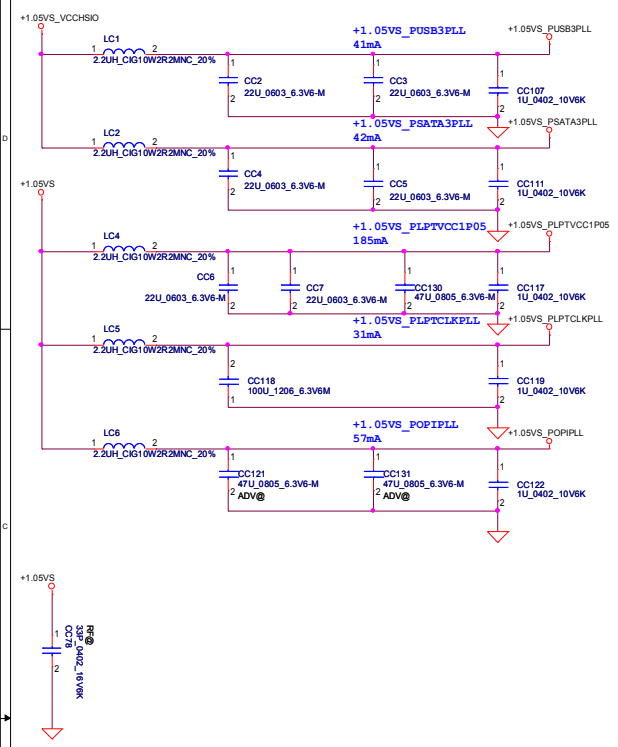
VCC SENSE
Length Match: No More Than 25Mil
Space: More Than 25Mil
GND Reference

SVID
1, Stripline Line, No More Than 6000Mil
2, Alert# Route Between CLK and Data
3, CLK Length < Data Length < CLK Length + 20000Mil
4, Space at least 18Mil



Security Classification	LC Future Center Secret Data		Title	MCP (Power)
Issued Date	2013/03/26	Deciphered Date	2013/02/01	
THIS SHEET OF ENGINEERING DRAWING IS THE PROPRIETARY PROPERTY OF LC FUTURE CENTER, AND CONTAINS CONFIDENTIAL AND TRADE SECRET INFORMATION. THIS SHEET MAY NOT BE TRANSFERRED FROM THE CUSTODY OF THE COMPETENT DIVISION OF R&D DEPARTMENT EXCEPT AS AUTHORIZED BY LC FUTURE CENTER. NEITHER THIS SHEET NOR THE INFORMATION IT CONTAINS MAY BE USED BY OR DISCLOSED TO ANY THIRD PARTY WITHOUT PRIOR WRITTEN CONSENT OF LC FUTURE CENTER.				
Size	Document Number	Venus3		Rev
Date:	Monday, April 01, 2013	Sheet	10	of 35

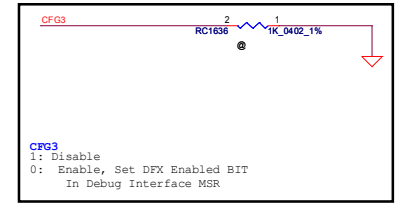
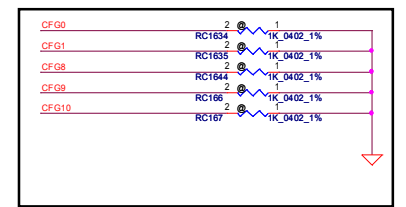
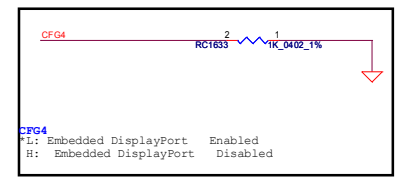
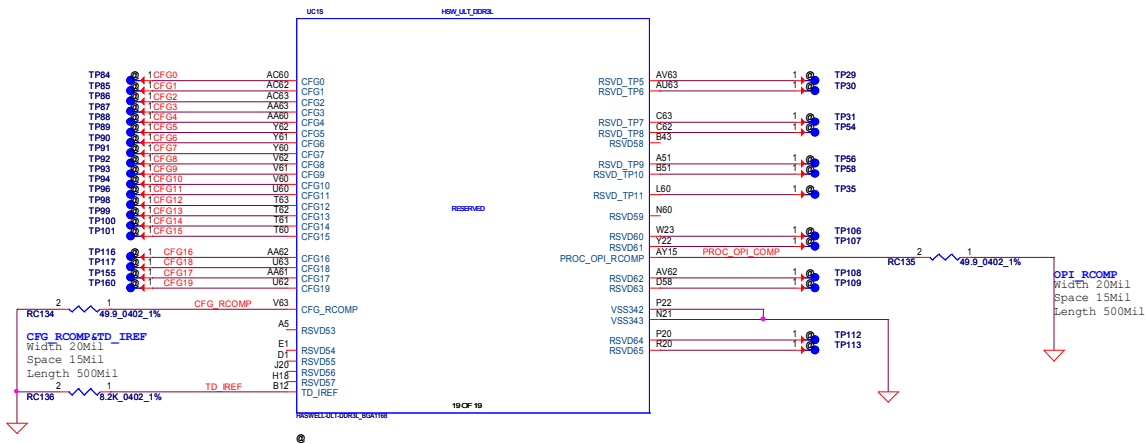
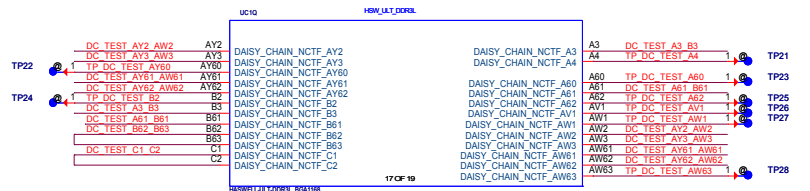
Haswell MCP (Power2)

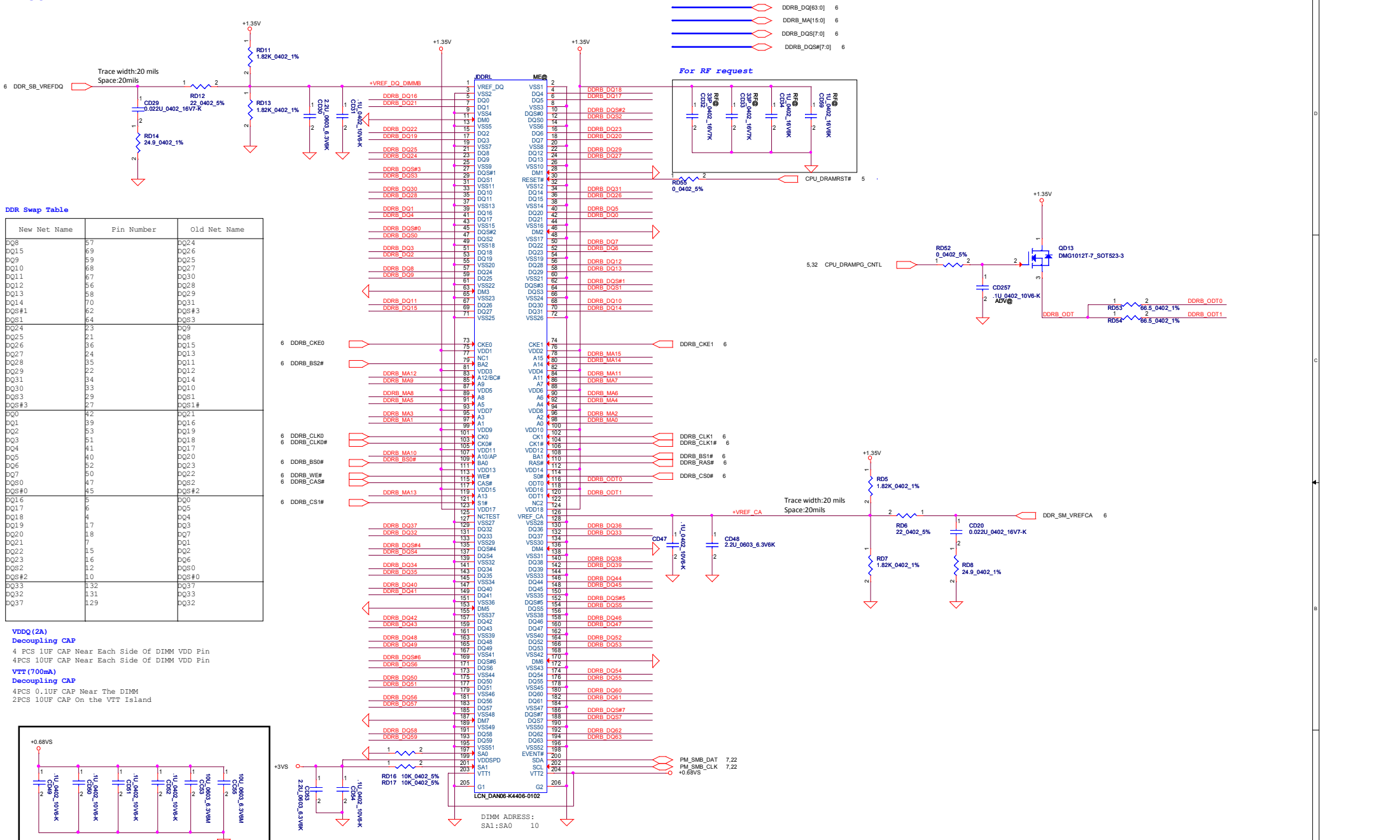




VSS SENSE
 Length Match: No More Than 25Mil
 Space: More Than 25Mil
 GND Reference

Haswell MCP (OTHER)



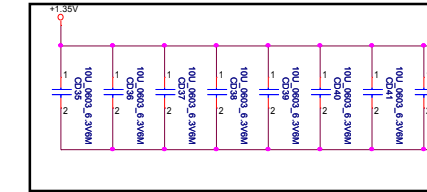
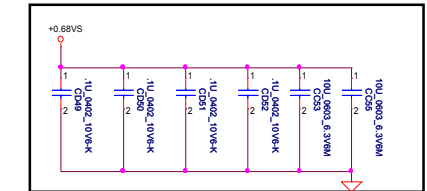


DDR Swap Table

New Net Name	Pin Number	Old Net Name
DQ8	57	DQ24
DQ15	59	DQ26
DQ9	59	DQ25
DQ10	67	DQ27
DQ11	67	DQ28
DQ12	56	DQ28
DQ13	58	DQ29
DQ14	70	DQ31
DQS#1	62	DQS#3
DQS1	64	DQS3
DQ24	23	DQ9
DQ25	21	DQ8
DQ26	56	DQ15
DQ27	24	DQ10
DQ28	35	DQ11
DQ29	22	DQ12
DQ31	34	DQ14
DQ30	33	DQ10
DQS3	29	DQS#1
DQS#3	27	DQS#3
DQ0	82	DQ21
DQ1	39	DQ16
DQ2	53	DQ19
DQ3	51	DQ18
DQ4	41	DQ17
DQ5	40	DQ20
DQ6	52	DQ23
DQ7	50	DQ22
DQ80	47	DQ82
DQS#0	45	DQS#2
DQ16	5	DQ0
DQ17	6	DQ5
DQ18	4	DQ4
DQ19	7	DQ3
DQ20	18	DQ2
DQ21	7	DQ1
DQ22	15	DQ2
DQ23	16	DQ6
DQ82	12	DQ80
DQS#2	12	DQS#0
DQ33	132	DQ37
DQ32	131	DQ33
DQ37	129	DQ32

VDD (2A)
Decoupling CAP
 4 PCS 10F CAP Near Each Side Of DIMM VDD Pin
 4PCS 10UF CAP Near Each Side Of DIMM VDD Pin

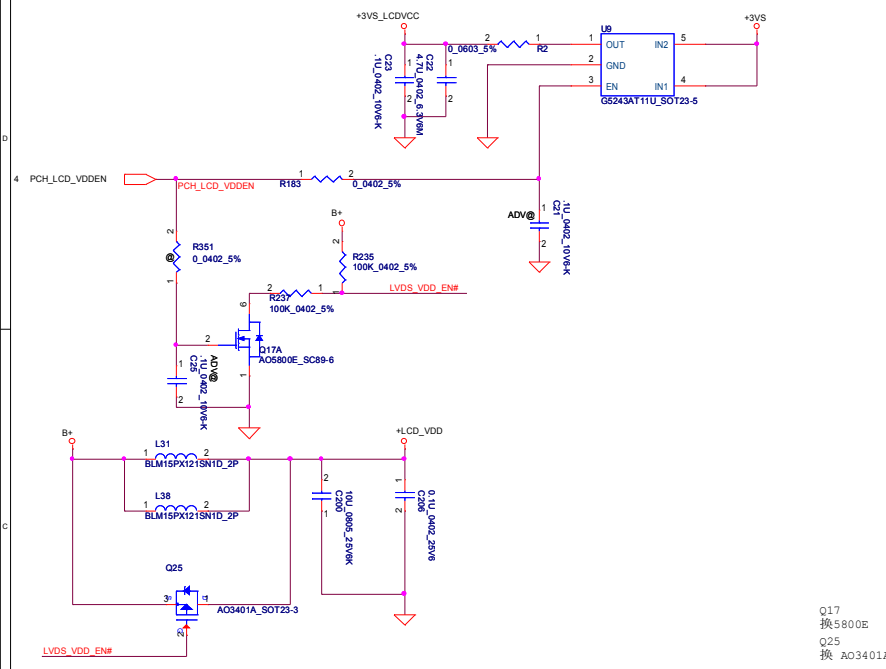
VTT (700mA)
Decoupling CAP
 4PCS 0.1UF CAP Near The DIMM
 2PCS 10UF CAP on the VTT Island



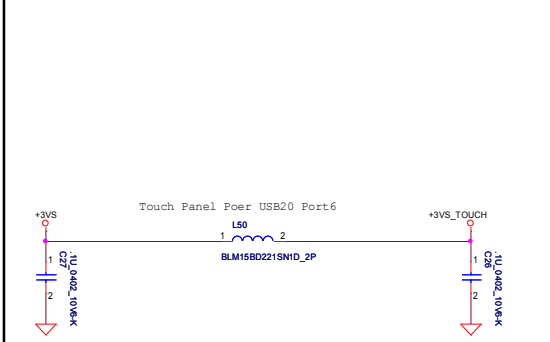
DIMM ADDRESS:
SA1:SA0 10

Security Classification	LC Future Center Secret Data		Title	
Issued Date	2013/03/26	Deciphered Date	2013/02/01	
THIS SHEET OF ENGINEERING DRAWING IS THE PROPRIETARY PROPERTY OF LC FUTURE CENTER, AND CONTAINS CONFIDENTIAL AND TRADE SECRET INFORMATION. THIS SHEET MAY NOT BE TRANSFERRED FROM THE CUSTODY OF THE COMPETENT DIVISION OF R&D DEPARTMENT EXCEPT AS AUTHORIZED BY LC FUTURE CENTER. NEITHER THIS SHEET NOR THE INFORMATION IT CONTAINS MAY BE USED BY OR DISCLOSED TO ANY THIRD PARTY WITHOUT PRIOR WRITTEN CONSENT OF LC FUTURE CENTER.				Size: Document Number Venus3 Rev: 0.1
Date:	Monday, April 01, 2013	Sheet	14 of 36	

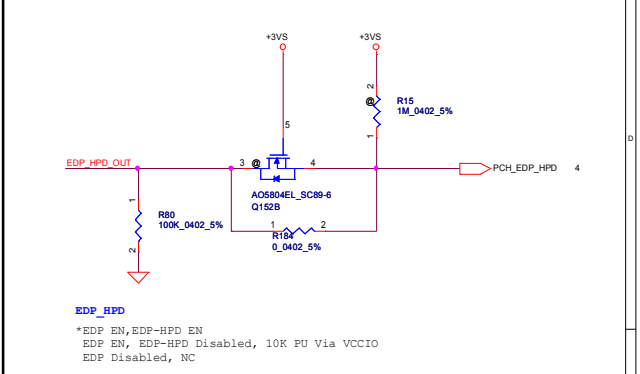
LCD PWR



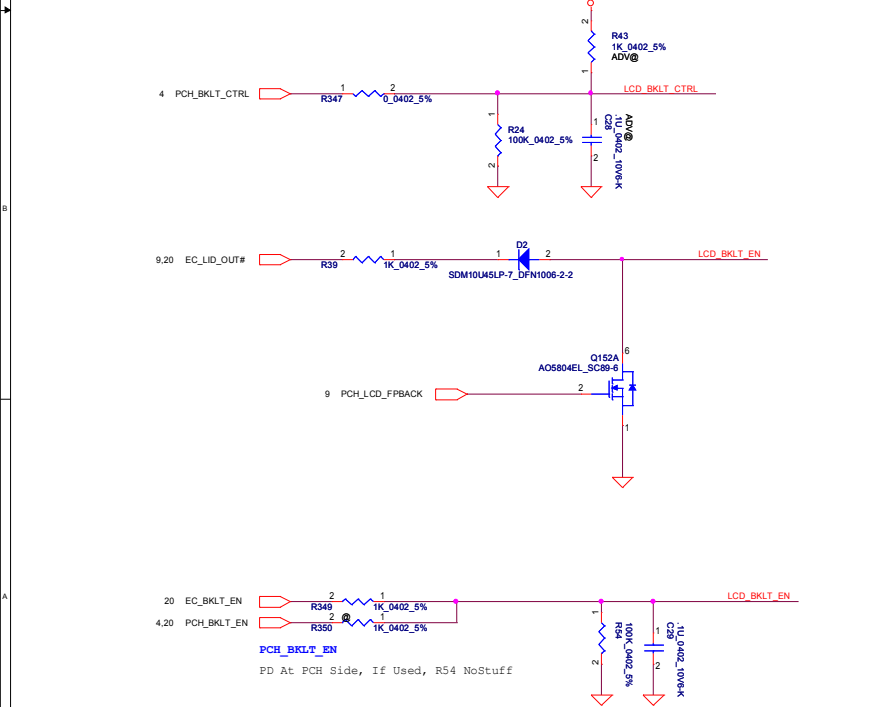
TOUCH PANEL



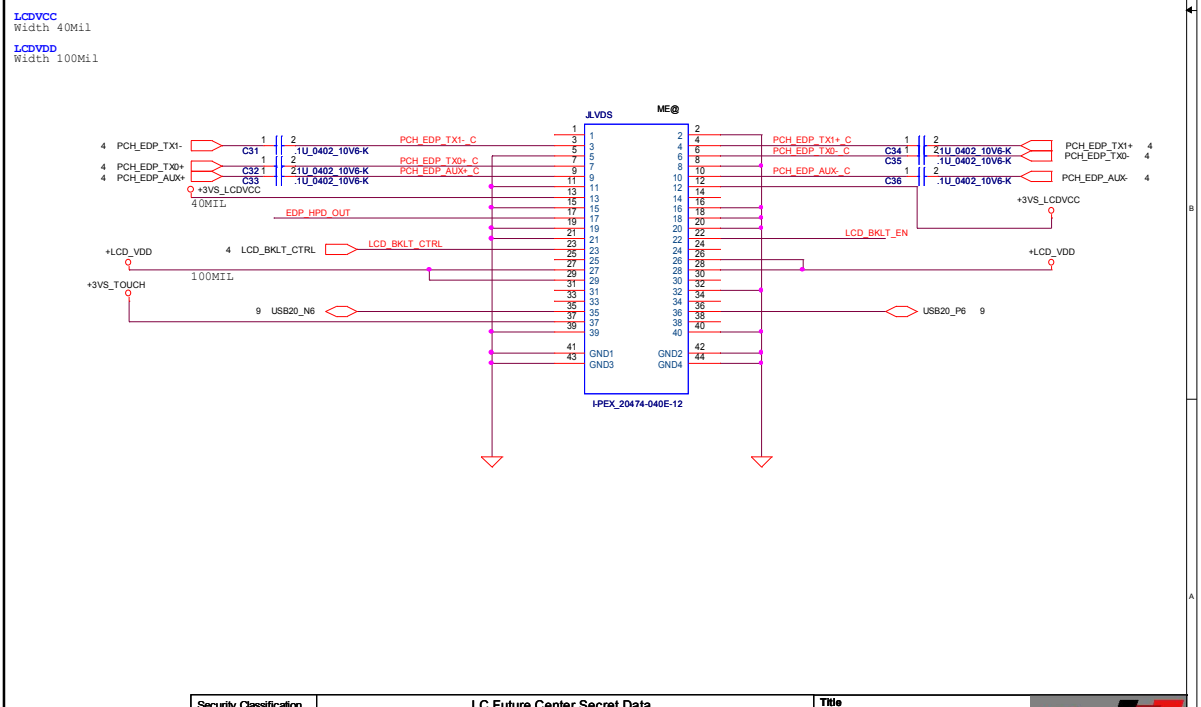
Hot-Plug



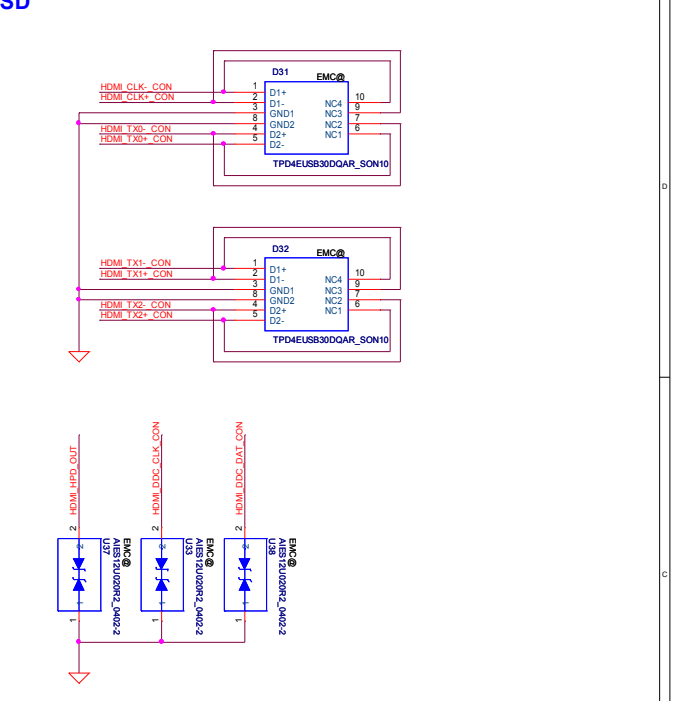
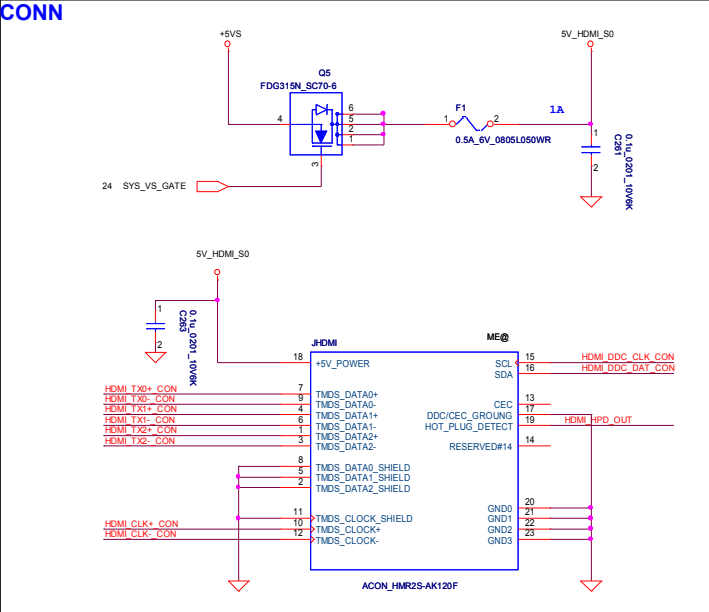
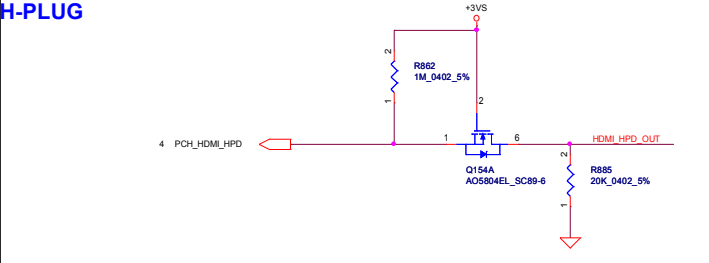
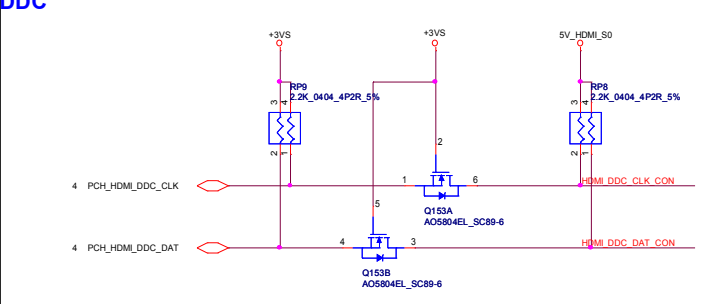
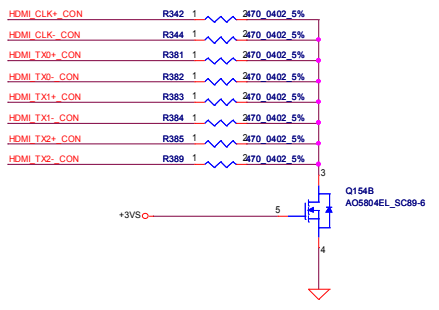
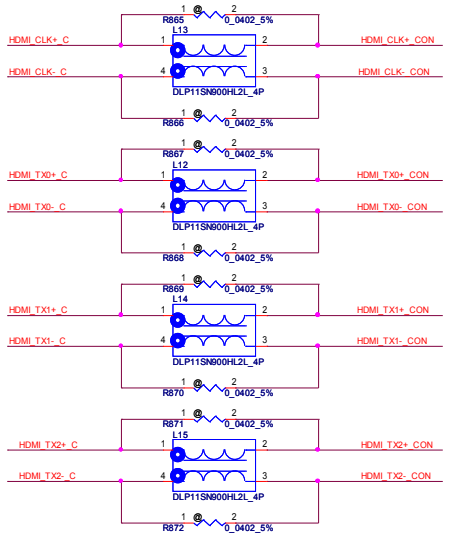
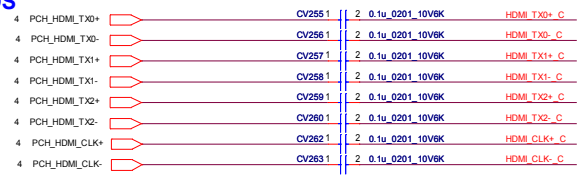
BKLT CNTL



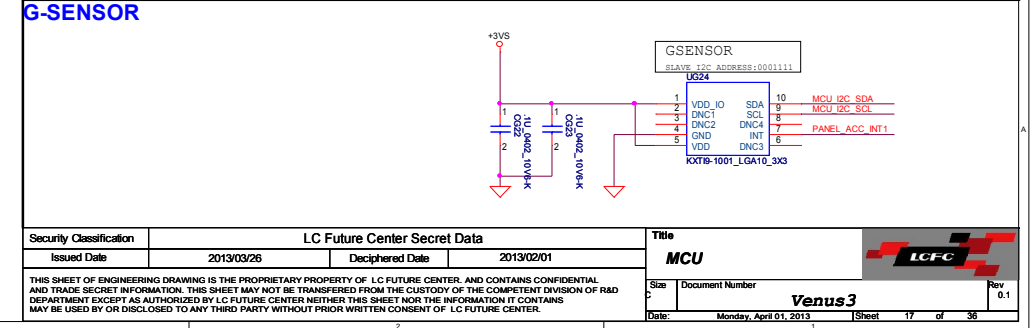
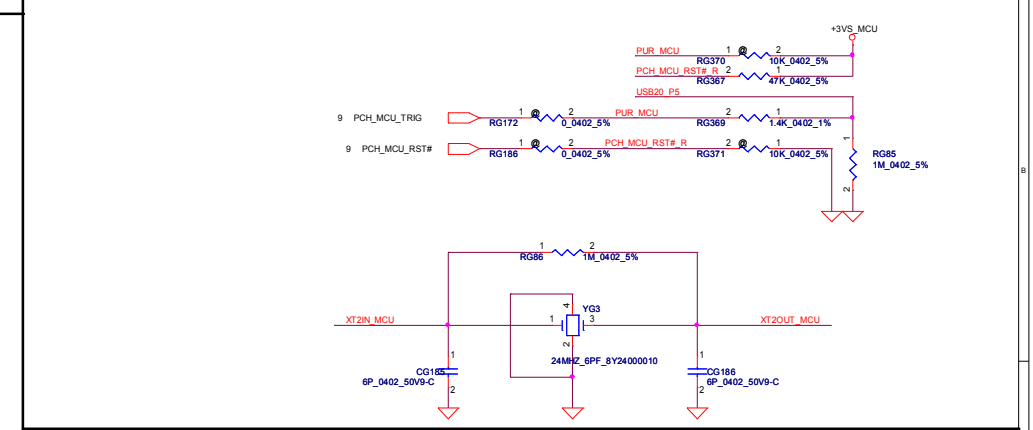
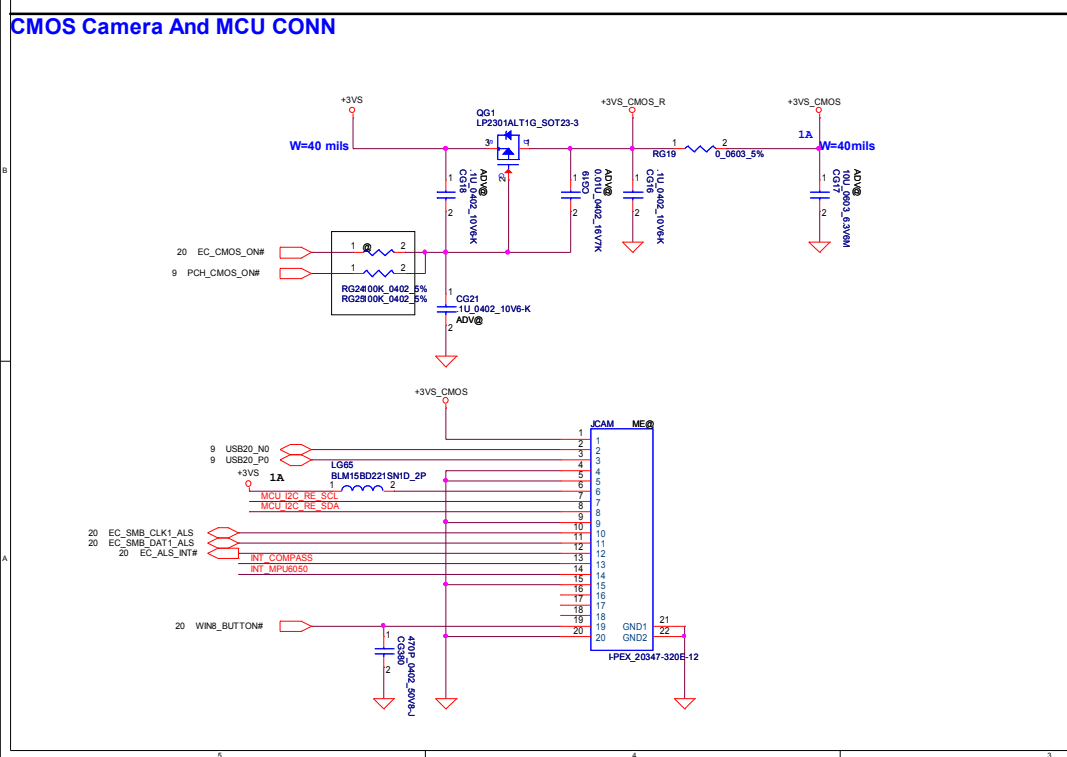
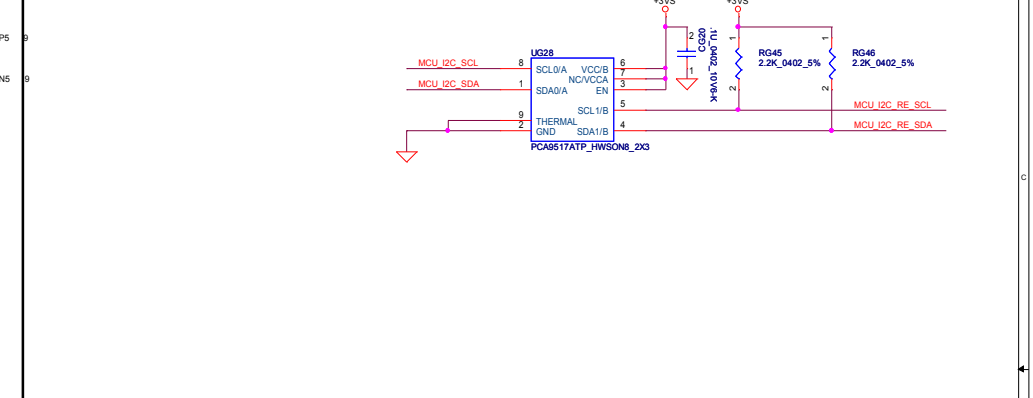
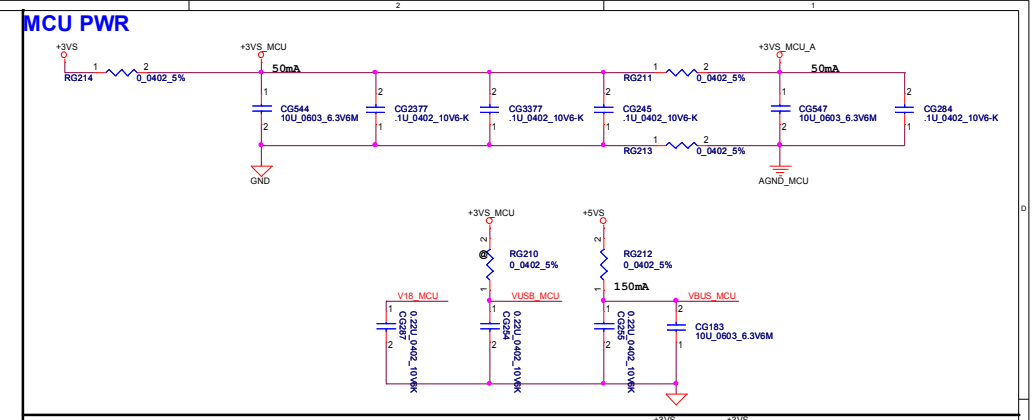
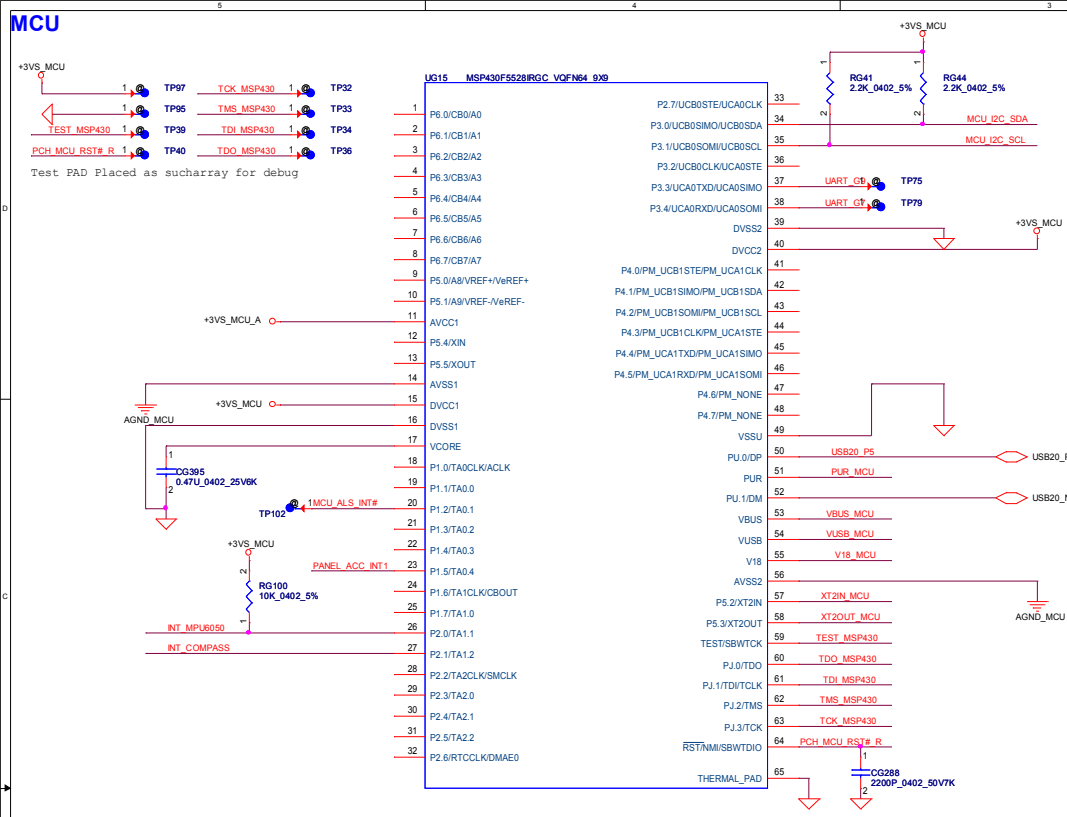
CONN



Security Classification	LC Future Center Secret Data		Title	
Issued Date	2013/03/26	Deciphered Date	2013/02/01	
THIS SHEET OF ENGINEERING DRAWING IS THE PROPRIETARY PROPERTY OF LC FUTURE CENTER AND CONTAINS CONFIDENTIAL AND TRADE SECRET INFORMATION. THIS SHEET MAY NOT BE TRANSFERRED FROM THE CUSTODY OF THE COMPETENT DIVISION OF R&D DEPARTMENT EXCEPT AS AUTHORIZED BY LC FUTURE CENTER NEITHER THIS SHEET NOR THE INFORMATION IT CONTAINS MAY BE USED BY OR DISCLOSED TO ANY THIRD PARTY WITHOUT PRIOR WRITTEN CONSENT OF LC FUTURE CENTER.				Size: Document Number Venus3 Rev: 0.1
Date:	Monday, April 01, 2013	Sheet	15	of 36

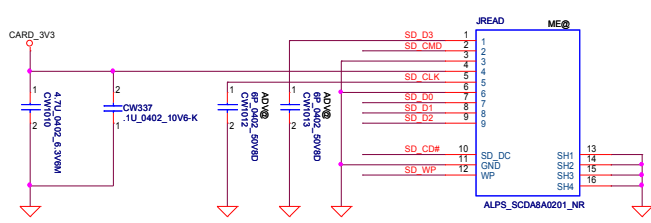
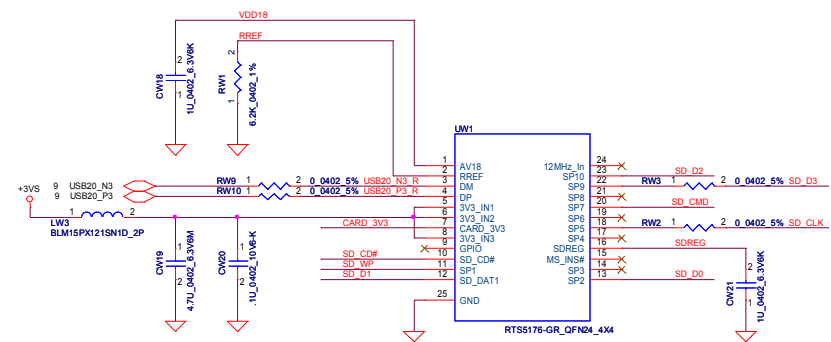


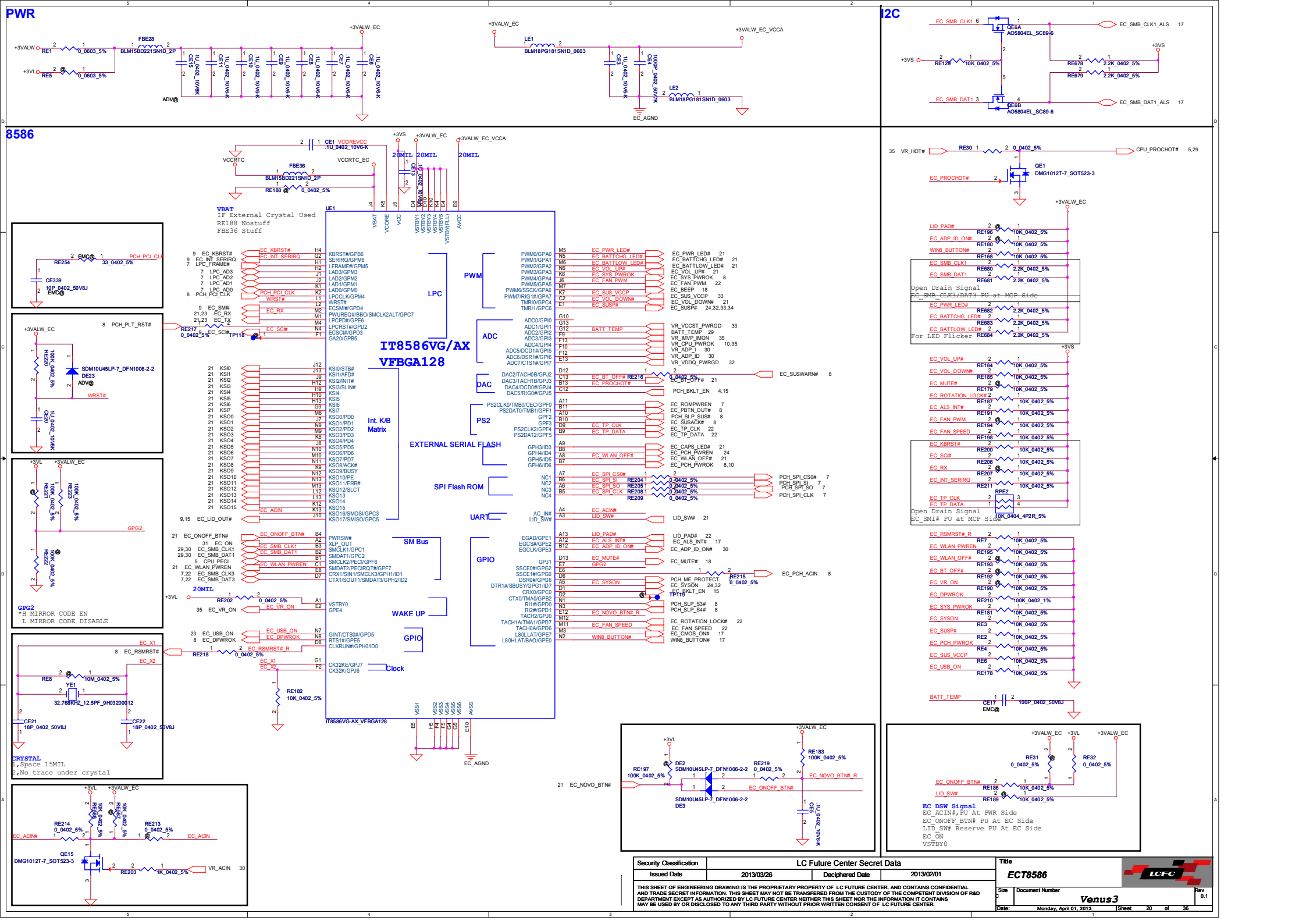
Note
1. Mount 0ohm resistor, Reserve choke



Security Classification	LC Future Center Secret Data		Title							
Issued Date	2013/03/26	Deciphered Date	2013/02/01							
THIS SHEET OF ENGINEERING DRAWING IS THE PROPRIETARY PROPERTY OF LC FUTURE CENTER. AND CONTAINS CONFIDENTIAL AND TRADE SECRET INFORMATION. THIS SHEET MAY NOT BE TRANSFERRED FROM THE CUSTODY OF THE COMPETENT DIVISION OF R&D DEPARTMENT EXCEPT AS AUTHORIZED BY LC FUTURE CENTER. NEITHER THIS SHEET NOR THE INFORMATION IT CONTAINS MAY BE USED BY OR DISCLOSED TO ANY THIRD PARTY WITHOUT PRIOR WRITTEN CONSENT OF LC FUTURE CENTER.				<table border="1"> <tr> <td>Size</td> <td>Document Number</td> <td>Rev</td> </tr> <tr> <td></td> <td>Venus3</td> <td>0.1</td> </tr> </table>	Size	Document Number	Rev		Venus3	0.1
Size	Document Number	Rev								
	Venus3	0.1								
Date:	Monday, April 01, 2013	Sheet	17	of	35					

CARD READER





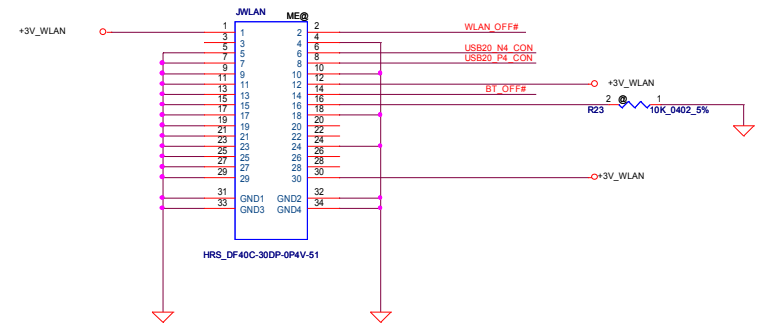
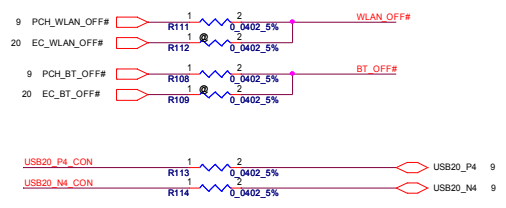
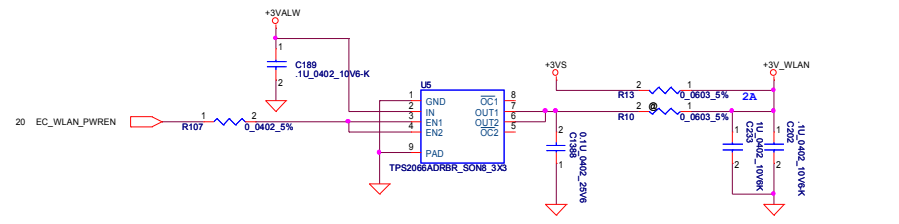
8586

12C

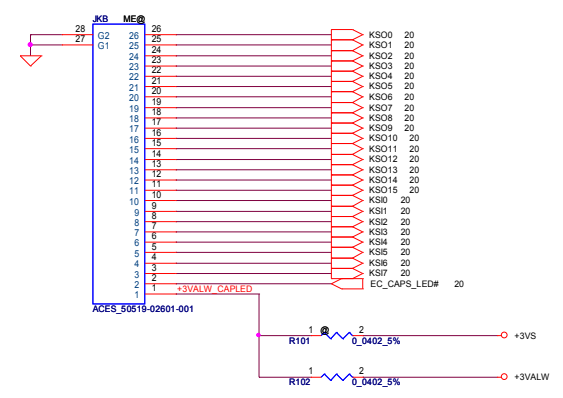
CRYSTAL
1, Space 15MIL
2, No trace under crystal

Security Classification		LC Future Center Secret Data		Title	
Issued Date	2013/03/26	Deciphered Date	2013/02/01	ECT8586	
THIS SHEET OF ENGINEERING DRAWING IS THE PROPRIETARY PROPERTY OF LC FUTURE CENTER, AND CONTAINS CONFIDENTIAL AND TRADE SECRET INFORMATION. THIS SHEET MAY NOT BE TRANSFERRED FROM THE CUSTODY OF THE COMPETENT DIVISION OF R&D DEPARTMENT EXCEPT AS AUTHORIZED BY LC FUTURE CENTER. NEITHER THIS SHEET NOR THE INFORMATION IT CONTAINS MAY BE USED BY OR DISCLOSED TO ANY THIRD PARTY WITHOUT PRIOR WRITTEN CONSENT OF LC FUTURE CENTER.				Size	Document Number
Date	Monday, April 01, 2013	Sheet	20	Venus3 Rev 0.1	

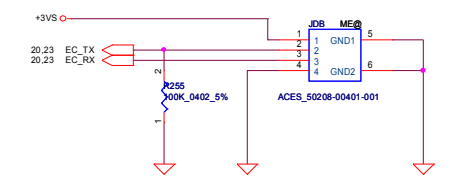
WiFi&BT Board Connector



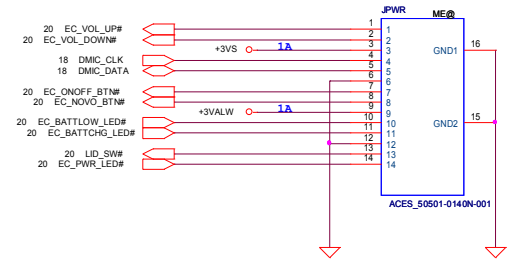
Keyboard Connector



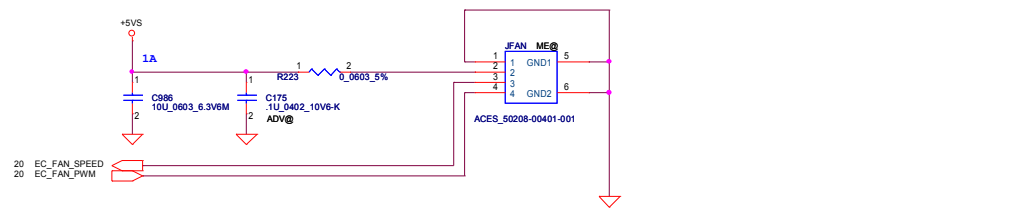
UART Debug Connector



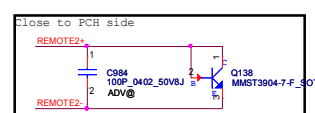
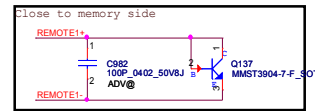
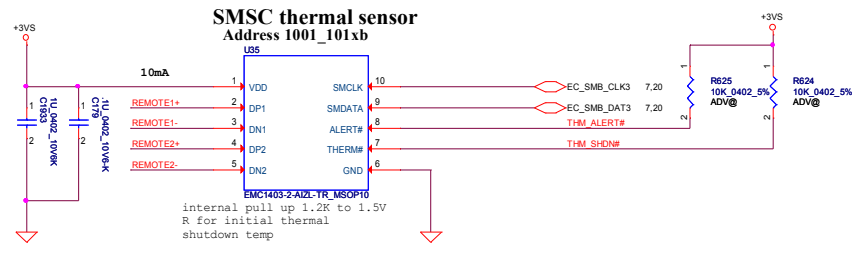
Power&Volume Board Connector



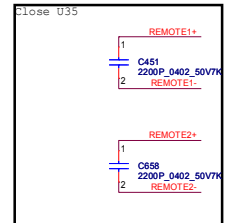
THERMAL SENSOR AND FAN



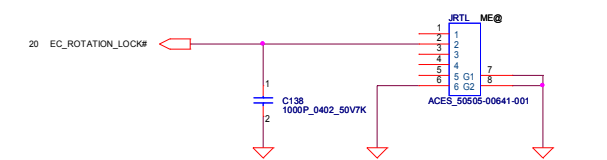
SMSC thermal sensor
Address 1001_101xb



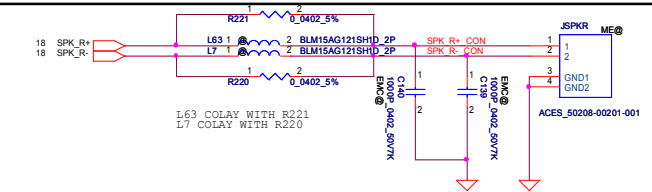
REMOTE2+/-:
Trace width/space:10/10 mil
Trace length:<8"



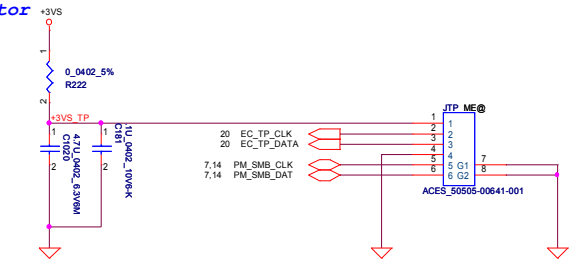
Rotation Lock Connector



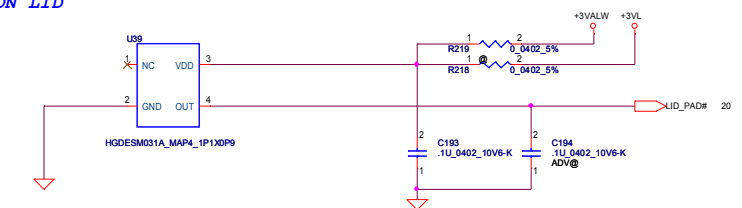
RIGHT SPK



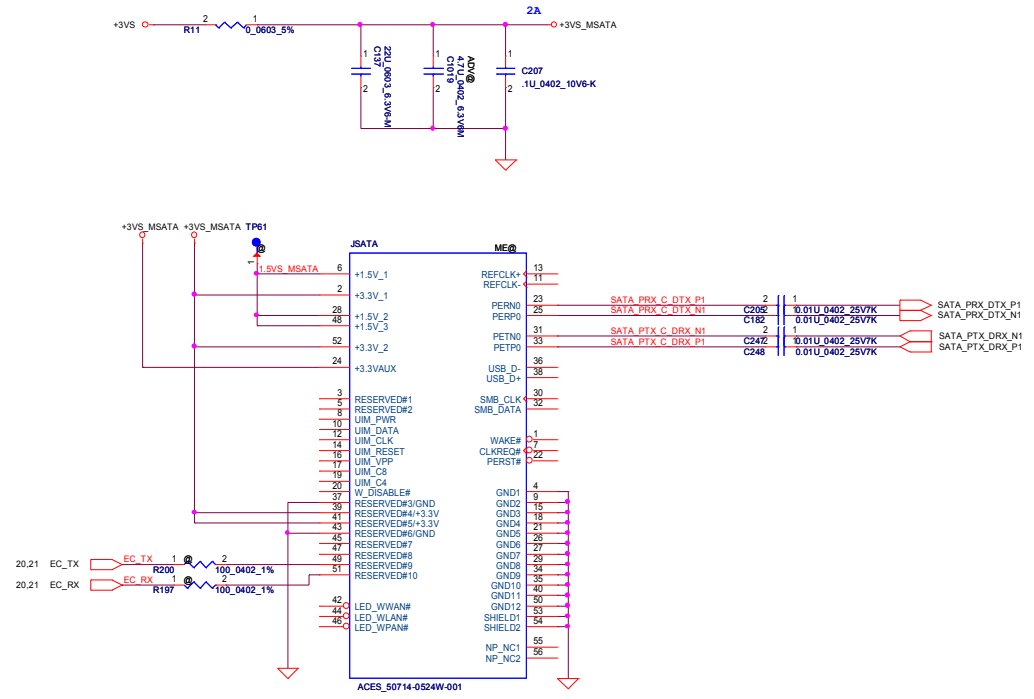
Touch Pad Connector



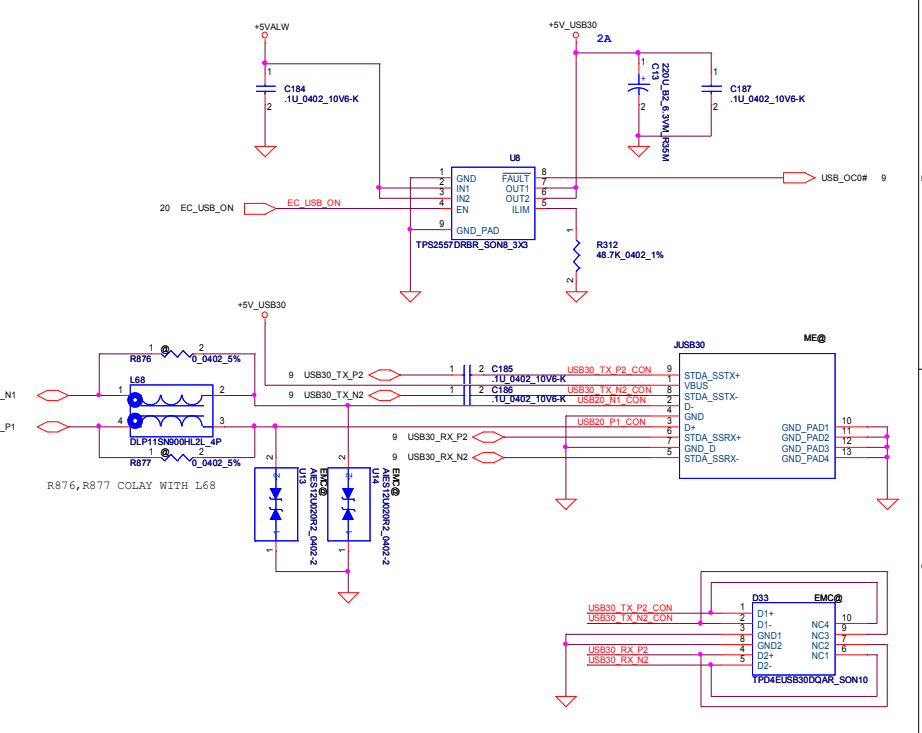
LCD ROTATION LID



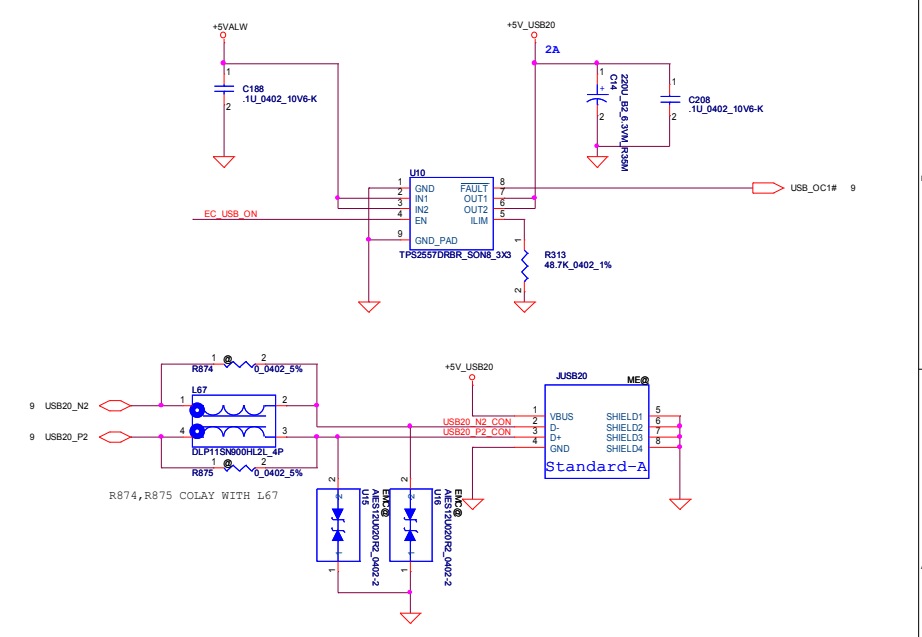
MSATA (Full Card)



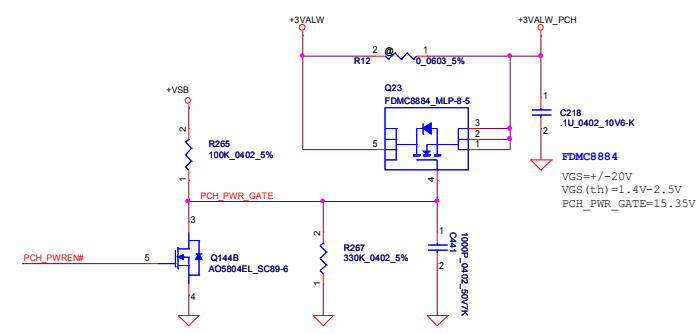
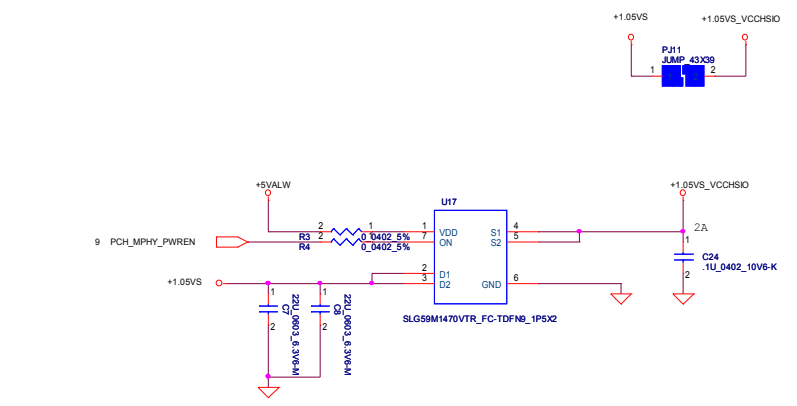
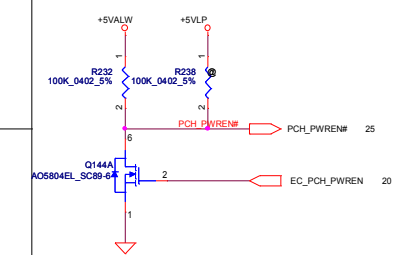
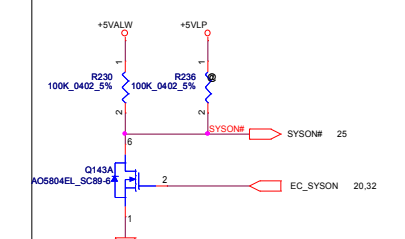
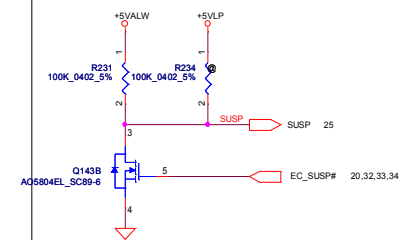
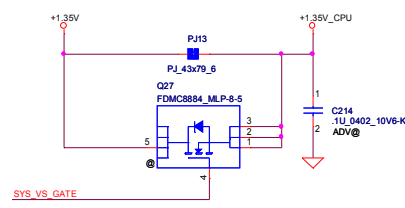
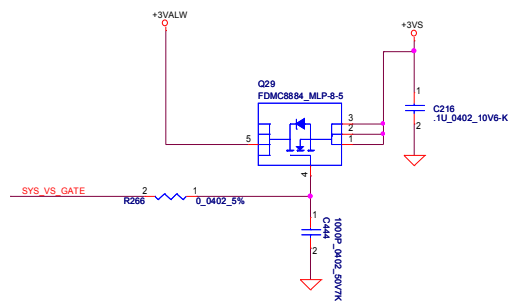
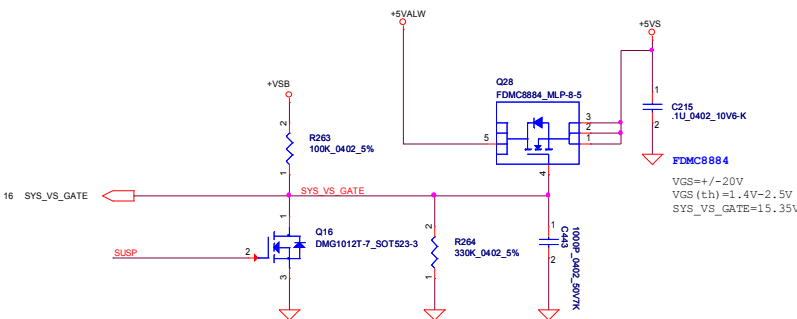
USB30



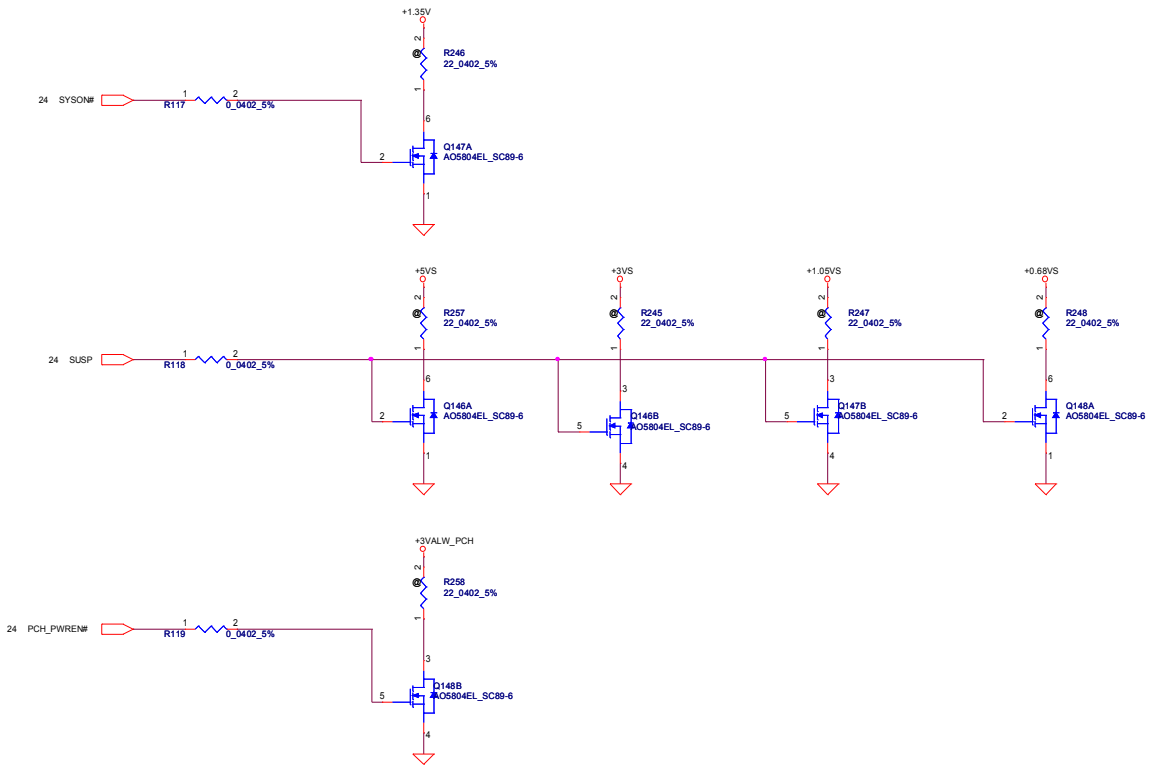
USB20




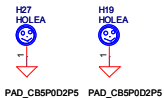
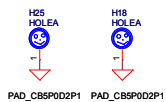
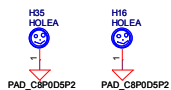
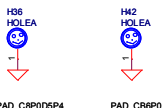
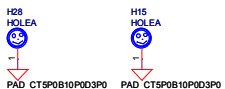
Security Classification	LC Future Center Secret Data		Title	CONN(MSATA&USB30&USB20)	
Issued Date	2013/03/26	Deciphered Date	2013/02/01	Size	Document Number
THIS SHEET OF ENGINEERING DRAWING IS THE PROPRIETARY PROPERTY OF LC FUTURE CENTER, AND CONTAINS CONFIDENTIAL AND TRADE SECRET INFORMATION. THIS SHEET MAY NOT BE TRANSFERRED FROM THE CUSTODY OF THE COMPETENT DIVISION OF R&D DEPARTMENT EXCEPT AS AUTHORIZED BY LC FUTURE CENTER NEITHER THIS SHEET NOR THE INFORMATION IT CONTAINS MAY BE USED BY OR DISCLOSED TO ANY THIRD PARTY WITHOUT PRIOR WRITTEN CONSENT OF LC FUTURE CENTER.					
Date:	Monday, April 01, 2013	Sheet	23	of	35




Security Classification	LC Future Center Secret Data		Title	POWER SWITCH
Issued Date	2013/03/26	Deciphered Date	2013/02/01	
THIS SHEET OF ENGINEERING DRAWING IS THE PROPRIETARY PROPERTY OF LC FUTURE CENTER. AND CONTAINS CONFIDENTIAL AND TRADE SECRET INFORMATION. THIS SHEET MAY NOT BE TRANSFERRED FROM THE CUSTODY OF THE COMPETENT DIVISION OF R&D DEPARTMENT EXCEPT AS AUTHORIZED BY LC FUTURE CENTER. NEITHER THIS SHEET NOR THE INFORMATION IT CONTAINS MAY BE USED BY OR DISCLOSED TO ANY THIRD PARTY WITHOUT PRIOR WRITTEN CONSENT OF LC FUTURE CENTER.				
Size	Document Number	Venus3		Rev
Date:	Monday, April 01, 2013	Sheet	24	of 35



Security Classification	LC Future Center Secret Data		Title	
Issued Date	2013/03/26	Deciphered Date	2013/02/01	
THIS SHEET OF ENGINEERING DRAWING IS THE PROPRIETARY PROPERTY OF LC FUTURE CENTER. AND CONTAINS CONFIDENTIAL AND TRADE SECRET INFORMATION. THIS SHEET MAY NOT BE TRANSFERRED FROM THE CUSTODY OF THE COMPETENT DIVISION OF R&D DEPARTMENT EXCEPT AS AUTHORIZED BY LC FUTURE CENTER. NEITHER THIS SHEET NOR THE INFORMATION IT CONTAINS MAY BE USED BY OR DISCLOSED TO ANY THIRD PARTY WITHOUT PRIOR WRITTEN CONSENT OF LC FUTURE CENTER.				
Size	Document Number	Venus3		Rev
				0.1
Date:	Monday, April 01, 2013		Sheet	25 of 35



Security Classification	LC Future Center Secret Data		Title			
Issued Date	2013/03/26	Deciphered Date	2013/02/01		Screw and Hole	
THIS SHEET OF ENGINEERING DRAWING IS THE PROPRIETARY PROPERTY OF LC FUTURE CENTER, AND CONTAINS CONFIDENTIAL AND TRADE SECRET INFORMATION. THIS SHEET MAY NOT BE TRANSFERRED FROM THE CUSTODY OF THE COMPETENT DIVISION OF R&D DEPARTMENT EXCEPT AS AUTHORIZED BY LC FUTURE CENTER. NEITHER THIS SHEET NOR THE INFORMATION IT CONTAINS MAY BE USED BY OR DISCLOSED TO ANY THIRD PARTY WITHOUT PRIOR WRITTEN CONSENT OF LC FUTURE CENTER.				Size	Document Number	Rev
				Venus3	0.1	
				Date: Monday, April 01, 2013	Sheet 26 of 35	

5

4

3

2

1

D

D

C


C

B

B

A

A

Security Classification		LC Future Center Secret Data		Title	
Issued Date		Deciphered Date		HW_Change_List	
2013/03/26		2013/02/01			
<small>THIS SHEET OF ENGINEERING DRAWING IS THE PROPRIETARY PROPERTY OF LC FUTURE CENTER. AND CONTAINS CONFIDENTIAL AND TRADE SECRET INFORMATION. THIS SHEET MAY NOT BE TRANSFERRED FROM THE CUSTODY OF THE COMPETENT DIVISION OF R&D DEPARTMENT EXCEPT AS AUTHORIZED BY LC FUTURE CENTER NEITHER THIS SHEET NOR THE INFORMATION IT CONTAINS MAY BE USED BY OR DISCLOSED TO ANY THIRD PARTY WITHOUT PRIOR WRITTEN CONSENT OF LC FUTURE CENTER.</small>					
Size	Document Number			Rev	
P	Venus3			0.1	
Date:		Monday, April 01, 2013		Sheet 27 of 35	

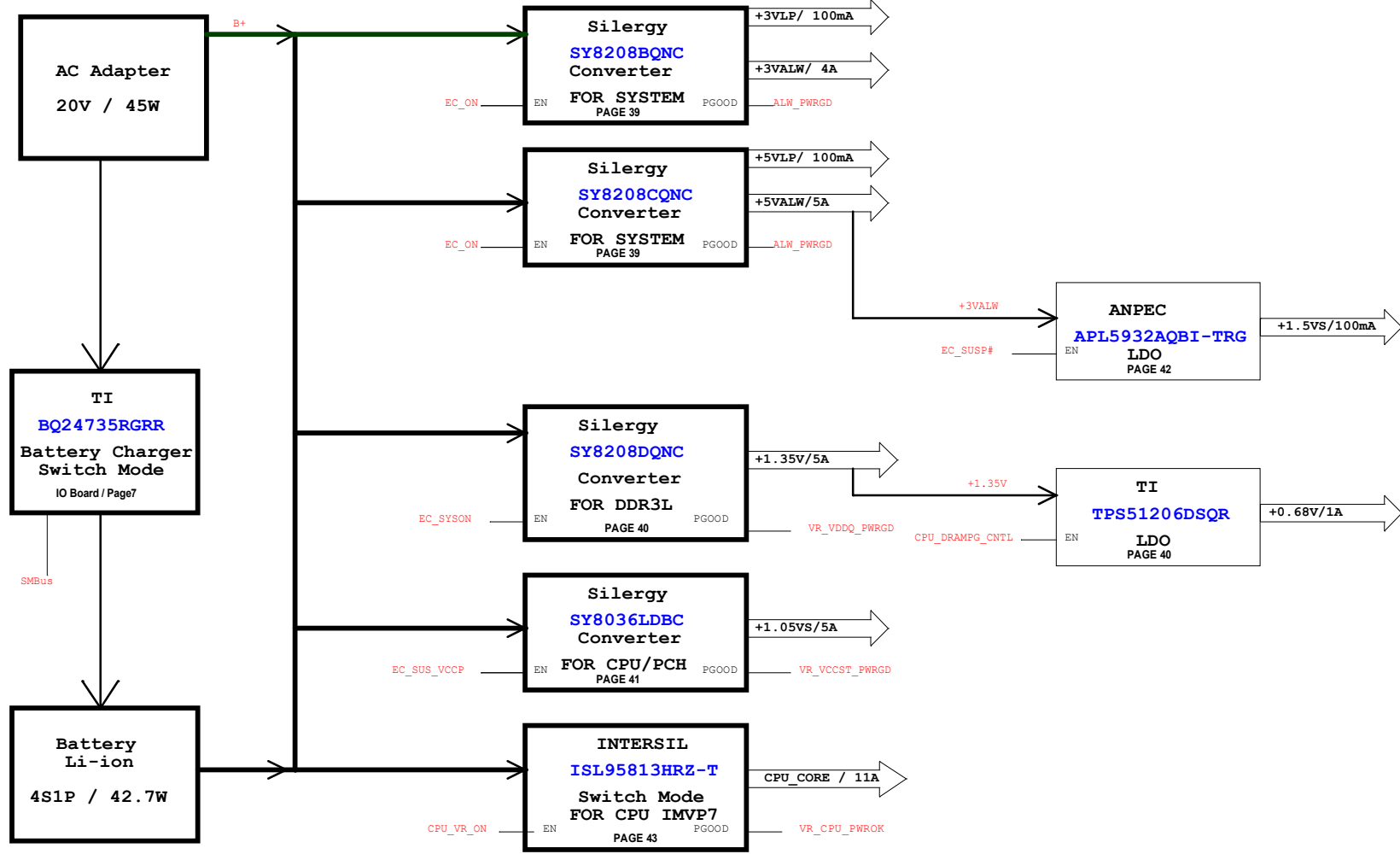
5

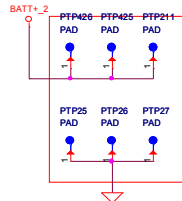
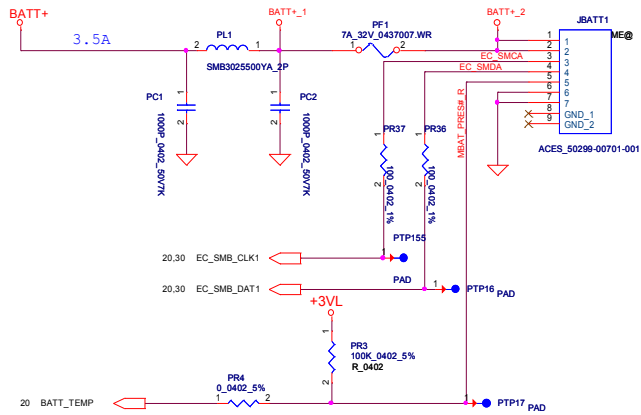
4

3

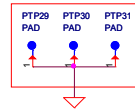
2

1

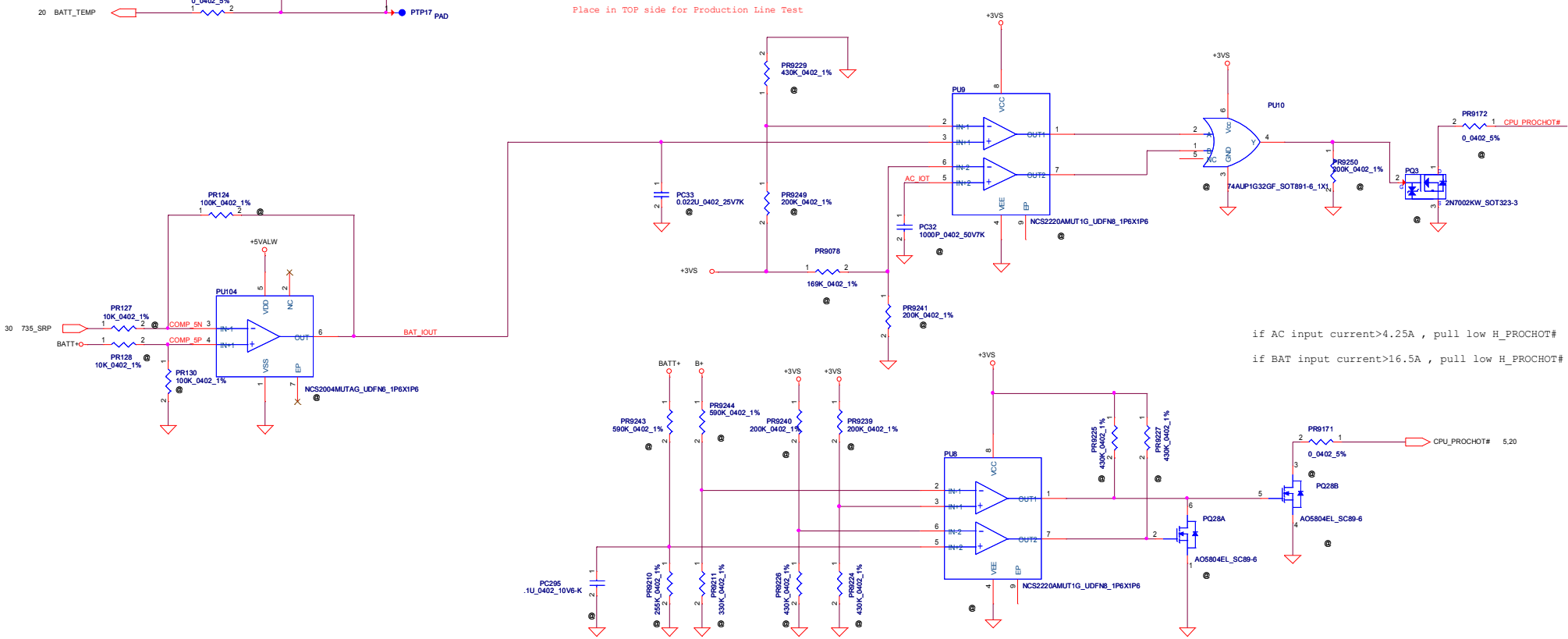
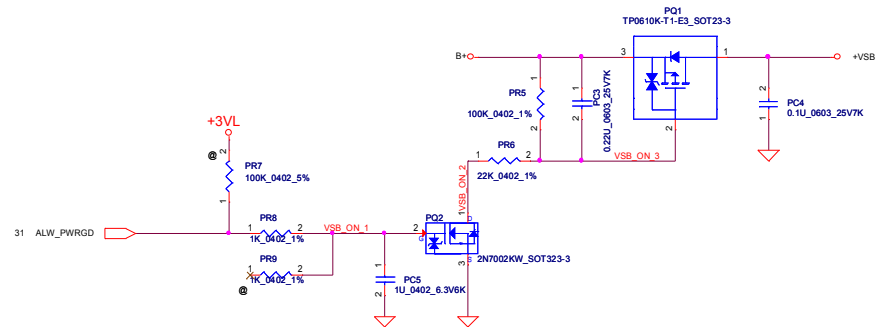




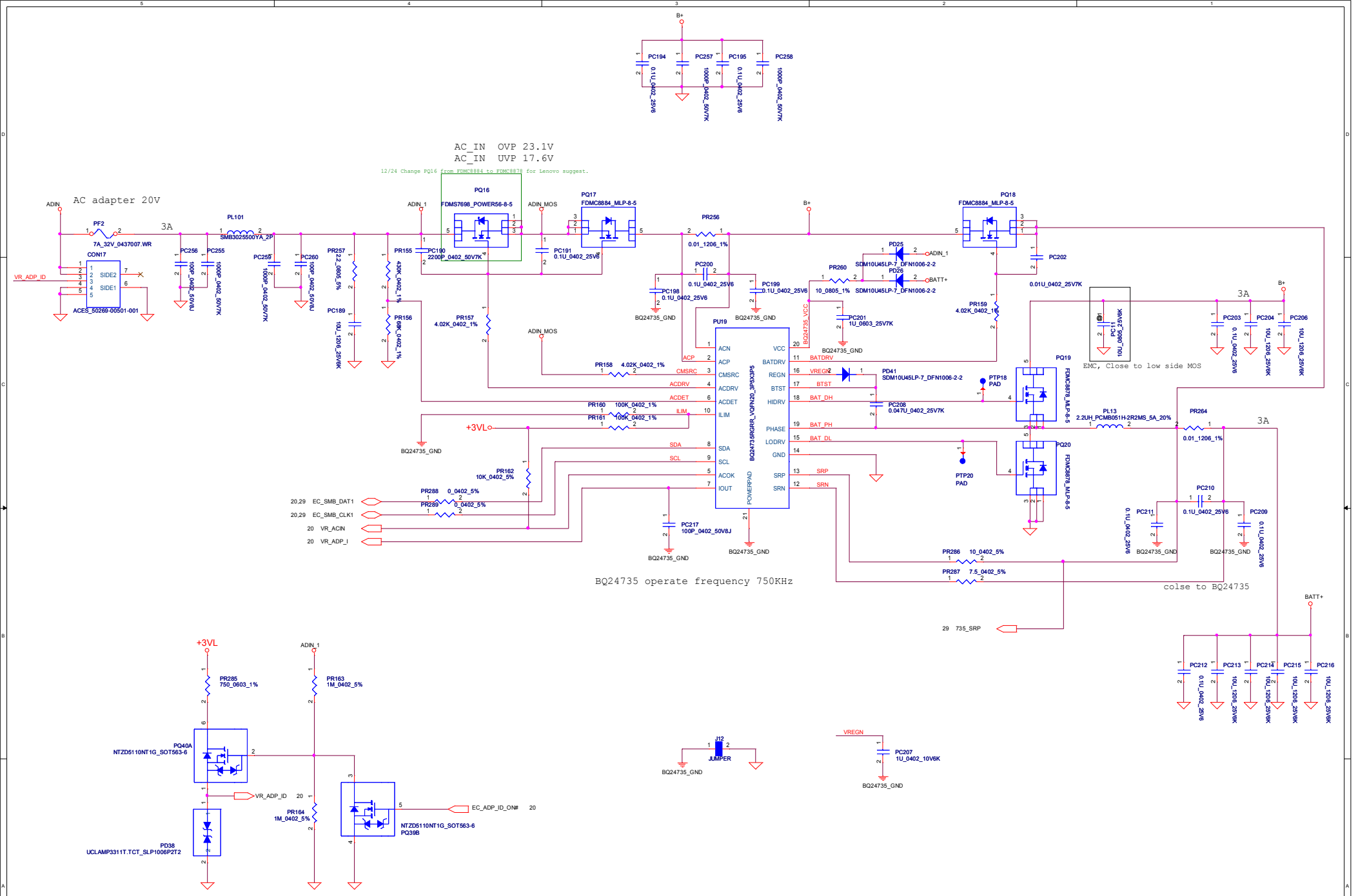
Place in BOT side for Production Line Test

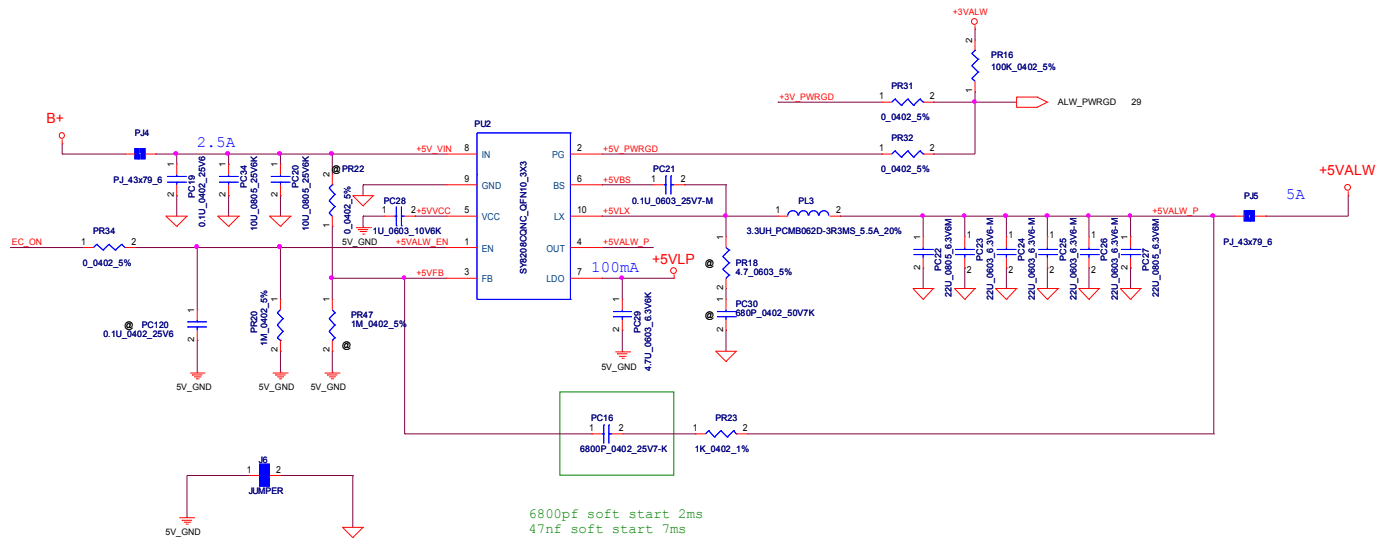
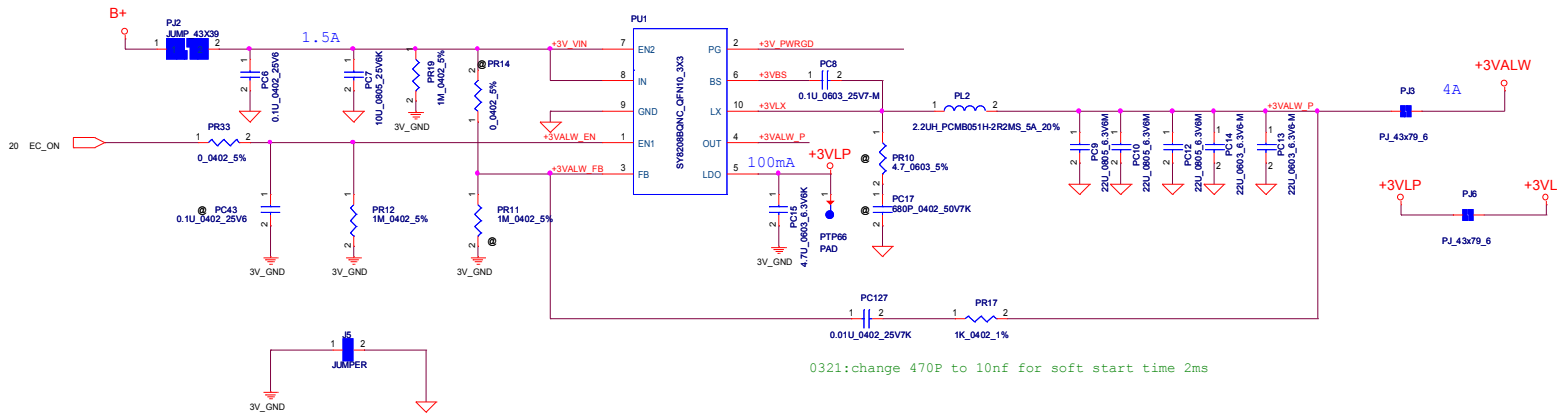


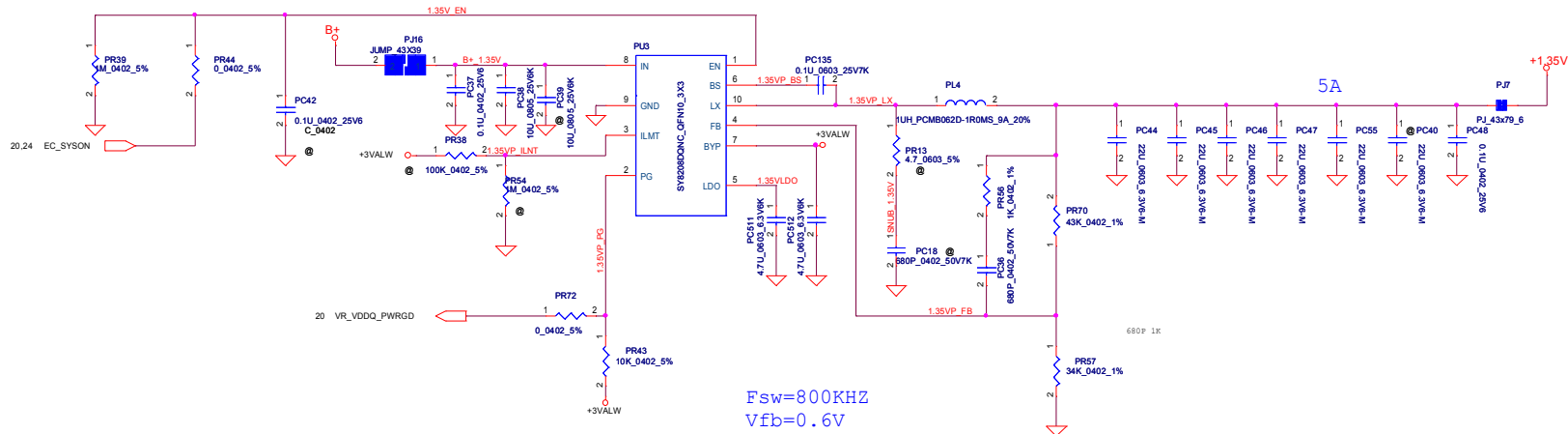
Place in TOP side for Production Line Test



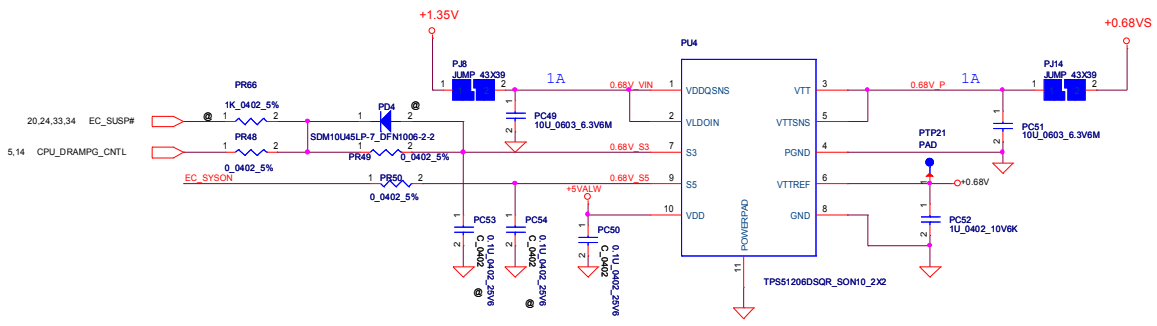
if AC input current > 4.25A, pull low H_PROCHOT#
 if BAT input current > 16.5A, pull low H_PROCHOT#

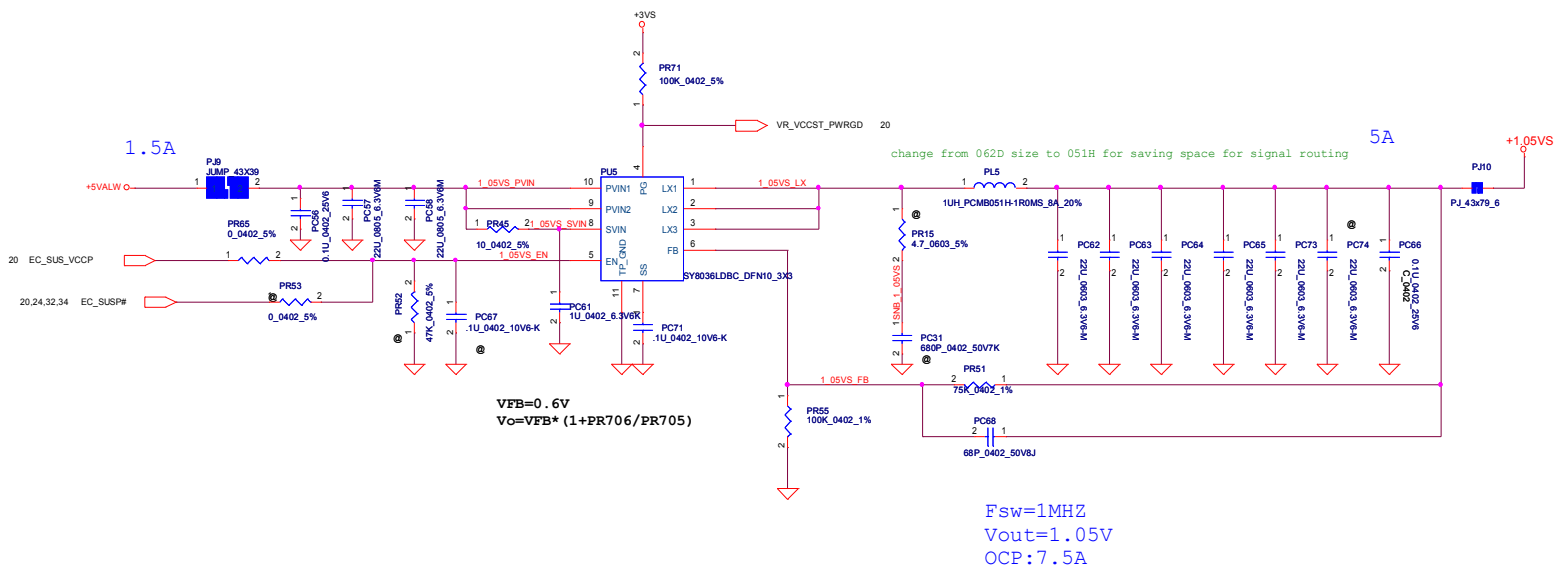






$F_{sw}=800KHZ$
 $V_{fb}=0.6V$
 $V_{out}=1.35V$
 $OCP:12A$

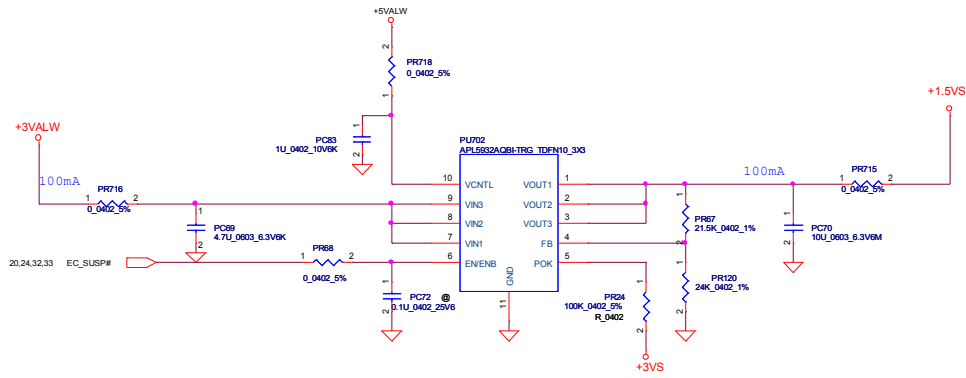





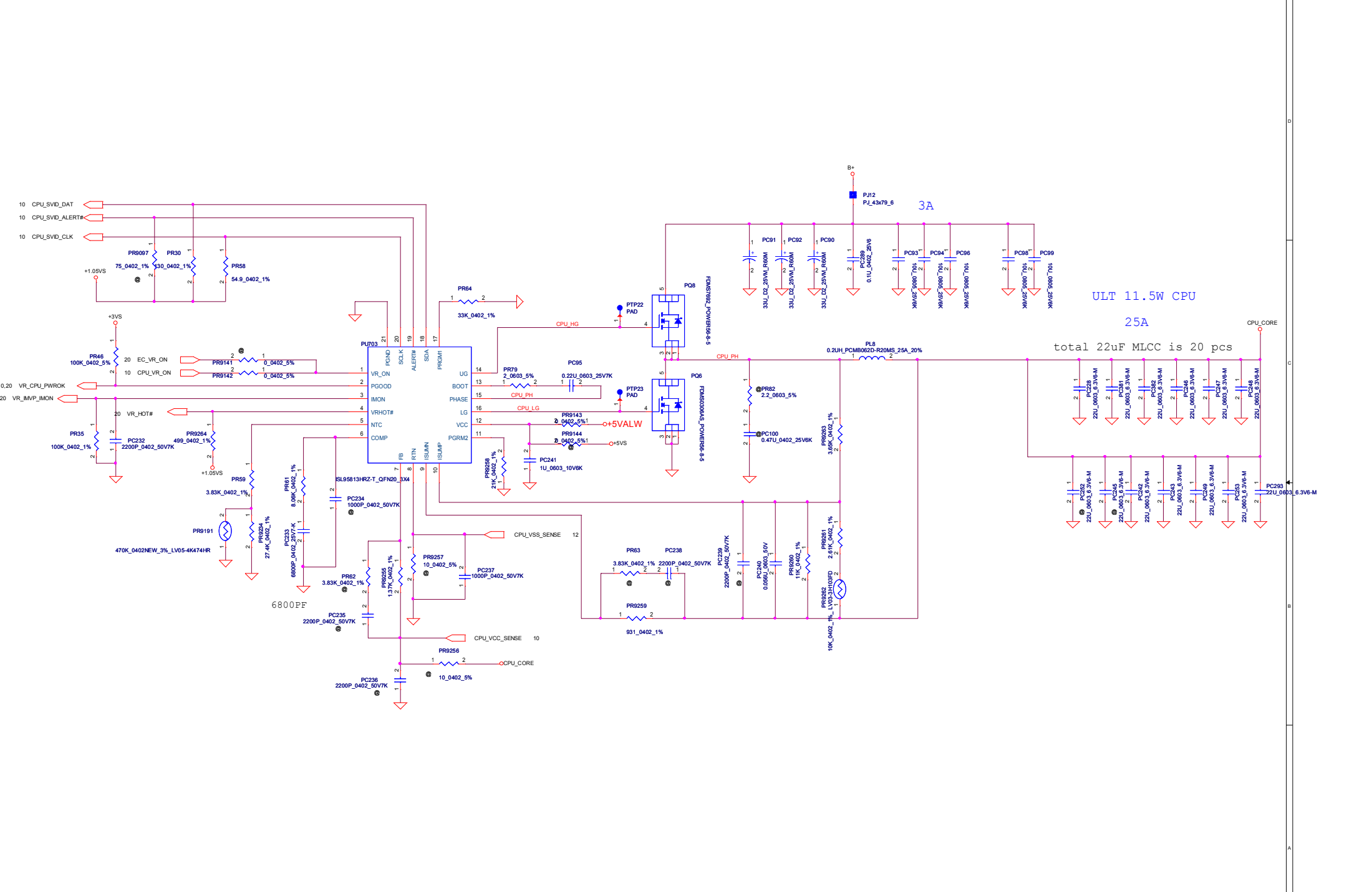
Security Classification	LC Future Center Secret Data	
Issued Date	2013/03/26	Deciphered Date
		2013/02/01
THIS SHEET OF ENGINEERING DRAWING IS THE PROPRIETARY PROPERTY OF LC FUTURE CENTER, AND CONTAINS CONFIDENTIAL AND TRADE SECRET INFORMATION. THIS SHEET MAY NOT BE TRANSFERRED FROM THE CUSTODY OF THE COMPETENT DIVISION OF R&D DEPARTMENT EXCEPT AS AUTHORIZED BY LC FUTURE CENTER. NEITHER THIS SHEET NOR THE INFORMATION IT CONTAINS MAY BE USED BY OR DISCLOSED TO ANY THIRD PARTY WITHOUT PRIOR WRITTEN CONSENT OF LC FUTURE CENTER.		

Title		
PWR_1.35V/0.68VS		
Size	Document Number	Rev
	Venus3	0.1
Date:	Monday, April 01, 2013	Sheet 33 of 35

Delete 1.8V




Security Classification	LC Future Center Secret Data		Title	
Issued Date	2013/03/26	Deciphered Date	2013/02/01	
<small>THIS SHEET OF ENGINEERING DRAWING IS THE PROPRIETARY PROPERTY OF LC FUTURE CENTER, AND CONTAINS CONFIDENTIAL AND TRADE SECRET INFORMATION. THIS SHEET MAY NOT BE TRANSFERRED FROM THE CUSTODY OF THE COMPETENT DIVISION OF THE DEPARTMENT EXCEPT AS AUTHORIZED BY LC FUTURE CENTER. NEITHER THIS SHEET NOR THE INFORMATION IT CONTAINS MAY BE USED BY OR DISCLOSED TO ANY THIRD PARTY WITHOUT PRIOR WRITTEN CONSENT OF LC FUTURE CENTER.</small>				Size: Custom Document Number: Venus3 Date: Monday, April 01, 2013 Sheet: 34 of 38 Rev: 0.1



ULT 11.5W CPU

25A

total 22uF MLCC is 20 pcs

Security Classification	LC Future Center Secret Data		Title		
Issued Date	2013/03/26	Deciphered Date	2013/02/01		PWR_VCCSA
<small>THIS SHEET OF ENGINEERING DRAWING IS THE PROPRIETARY PROPERTY OF LC FUTURE CENTER, AND CONTAINS CONFIDENTIAL AND TRADE SECRET INFORMATION. THIS SHEET MAY NOT BE TRANSFERRED FROM THE CUSTODY OF THE COMPETENT DIVISION OF R&D DEPARTMENT EXCEPT AS AUTHORIZED BY LC FUTURE CENTER NEITHER THIS SHEET NOR THE INFORMATION IT CONTAINS MAY BE USED BY OR DISCLOSED TO ANY THIRD PARTY WITHOUT PRIOR WRITTEN CONSENT OF LC FUTURE CENTER.</small>					
Size	Document Number	Venus3		Rev	
				0.1	
Date:	Monday, April 01, 2013	Sheet	35	of	35

5

4

3

2

1

D

D

C

C

B

B

A

A

Security Classification		LC Future Center Secret Data		Title	
Issued Date	2013/03/26	Deciphered Date	2013/02/01	CPU (1/7) DMI, FDI, PEG	
THIS SHEET OF ENGINEERING DRAWING IS THE PROPRIETARY PROPERTY OF LC FUTURE CENTER. AND CONTAINS CONFIDENTIAL AND TRADE SECRET INFORMATION. THIS SHEET MAY NOT BE TRANSFERRED FROM THE CUSTODY OF THE COMPETENT DIVISION OF R&D DEPARTMENT EXCEPT AS AUTHORIZED BY LC FUTURE CENTER NEITHER THIS SHEET NOR THE INFORMATION IT CONTAINS MAY BE USED BY OR DISCLOSED TO ANY THIRD PARTY WITHOUT PRIOR WRITTEN CONSENT OF LC FUTURE CENTER.				Size	Document Number
					Venus3
				Date:	Monday, April 01, 2013
				Sheet	36 of 36
				Rev	0.1

